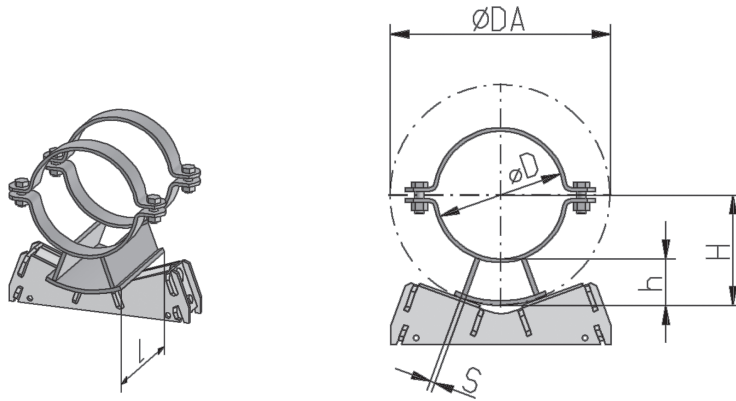


Saddle with pipe clip, Type ISRU

DN 50 - DN 200

Material:	S235JR
Finish:	hot-dip galvanized
Pipe clips according to DIN 3567 Form A	
Bolts and nuts according to DIN ISO 4017/ 4032 - 8.8 / 8 hot-dip galvanized (DIN EN ISO 898)	

Article no.	support load F_z [kN]	Ø pipe [mm]	h insulation thickness [mm]	H installation height [mm]	DA-Ø [mm]	L [mm]	s [mm]	weight [kg]
ISRU-061/030-R-F	1,5	60,3	30	60	120	300	5	2,9
ISRU-061/050-R-F			50	80	160			3,4
ISRU-061/080-R-F			80	110	220			4,6
ISRU-061/100-R-F			100	130	260			5,2
ISRU-061/120-R-F			120	150	300			5,9
ISRU-077/030-R-F	1,5	76,1	30	68	140	300	5	3,2
ISRU-077/050-R-F			50	88	180			3,7
ISRU-077/080-R-F			80	118	240			4,9
ISRU-077/100-R-F			100	138	280			5,7
ISRU-077/120-R-F			120	158	320			6,4
ISRU-089/030-R-F	1,5	88,9	30	75	150	300	5	3,4
ISRU-089/050-R-F			50	95	190			4,0
ISRU-089/080-R-F			80	125	250			5,0
ISRU-089/100-R-F			100	145	290			5,8
ISRU-089/120-R-F			120	165	330			6,5
ISRU-115/030-R-F	2,0	114,3	30	88	175	300	5	5,5
ISRU-115/050-R-F			50	108	215			6,2
ISRU-115/080-R-F			80	138	275			7,3
ISRU-115/100-R-F			100	158	315			8,0
ISRU-115/120-R-F			120	178	355			8,6
ISRU-140/040-R-F	4,0	139,7	40	110	220	300	5	6,3
ISRU-140/050-R-F			50	120	240			6,7
ISRU-140/080-R-F			80	150	300			7,8
ISRU-140/100-R-F			100	170	340			8,4
ISRU-140/120-R-F			120	190	380			9,2
ISRU-169/040-R-F	4,0	168,3	40	125	250	300	5	7,0
ISRU-169/050-R-F			50	135	270			7,9
ISRU-169/080-R-F			80	165	330			9,3
ISRU-169/100-R-F			100	185	370			10,2
ISRU-169/120-R-F			120	205	410			11,2
ISRU-220/040-R-F	10,0	219,1	40	150	300	300	6	9,0
ISRU-220/050-R-F			50	160	320			9,3
ISRU-220/080-R-F			80	190	380			10,6
ISRU-220/100-R-F			100	210	420			11,5
ISRU-220/120-R-F			120	230	460			12,4



Saddle with pipe clip, Type ISRU

DN 250 - DN 500

Material:	S235JR
Finish:	hot-dip galvanized
Pipe clips according to DIN 3567 Form A	
Bolts and nuts according to DIN ISO 4017/ 4032 - 8.8 / 8 hot-dip galvanized (DIN EN ISO 898)	

Article no.	support load F _z [kN]	Ø pipe [mm]	h insulation thickness [mm]	H installation height [mm]	DA-Ø [mm]	L [mm]	s [mm]	weight [kg]
ISRU-273/050-R-F	10,0	273,0	50	187	375	300	10	15,0
ISRU-273/080-R-F			80	217	435			17,2
ISRU-273/100-R-F			100	237	475			18,6
ISRU-273/120-R-F			120	257	515			20,1
ISRU-273/150-R-F			150	287	575			22,3
ISRU-324/050-R-F	20,0	323,9	50	212	425	300	12	18,0
ISRU-324/080-R-F			80	242	485			20,7
ISRU-324/100-R-F			100	262	525			22,4
ISRU-324/120-R-F			120	282	565			24,2
ISRU-324/150-R-F			150	312	625			26,8
ISRU-356/050-R-F	20,0	355,6	50	228	455	300	12	19,6
ISRU-356/080-R-F			80	258	515			22,2
ISRU-356/100-R-F			100	278	555			24,0
ISRU-356/120-R-F			120	298	595			25,7
ISRU-356/150-R-F			150	328	655			28,4
ISRU-407/050-R-F	40,0	406,4	50	254	510	300	15	30,0
ISRU-407/080-R-F			80	284	570			33,3
ISRU-407/100-R-F			100	304	610			35,5
ISRU-407/120-R-F			120	324	650			37,7
ISRU-407/150-R-F			150	354	710			41,0
ISRU-457/050-R-F	40,0	457,0	50	278	560	300	15	32,2
ISRU-457/080-R-F			80	308	620			35,5
ISRU-457/100-R-F			100	328	660			37,7
ISRU-457/120-R-F			120	348	700			39,9
ISRU-457/150-R-F			150	378	760			43,3
ISRU-508/050-R-F	40,0	508,0	50	304	608	300	15	35,9
ISRU-508/080-R-F			80	334	668			39,1
ISRU-508/100-R-F			100	354	708			41,3
ISRU-508/120-R-F			120	374	748			43,4
ISRU-508/150-R-F			150	404	808			46,7

Notes: Other dimensions on request.