

Pipe Clips Type GFK1

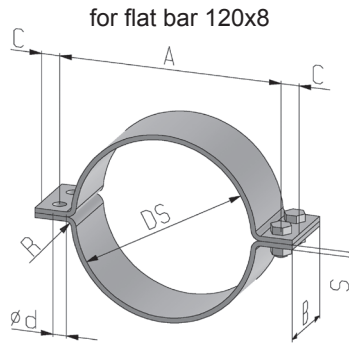
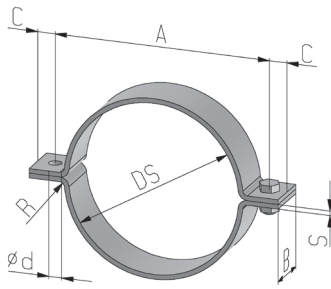
For nonmetallic piping

DN 25 - DN 300

Material:	S235JR DIN EN 10025-2
Finish:	The pipe clamp is to use with a rubber inlay of 5 mm thickness (see page 24 - 26).
	The tube is fixed in the pipe clamps. „For anchor“
	GRP pipes acc. Publisher policy

Pipe clamp inner diameter	Pipe outer diameter	B x S	A	C	F	R	d	bolt size	Article no. Clips without bolts and nuts	weight [kg]	Article no. Clips with bolts and nuts	weight incl. bolts [kg]
41	31	80 x 6	85	18	7	6	13,5	M12 x 40	GFK1-041-R	1,01	GFK1-041-R-8Z	1,13
45	35	80 x 6	90	18	7	6	13,5	M12 x 40	GFK1-045-R	1,06	GFK1-045-R-8Z	1,18
48	38	80 x 6	93	18	7	6	13,5	M12 x 40	GFK1-048-R	1,09	GFK1-048-R-8Z	1,21
52	42	80 x 6	97	18	7	6	13,5	M12 x 40	GFK1-052-R	1,14	GFK1-052-R-8Z	1,26
56	46	80 x 6	102	18	7	6	13,5	M12 x 40	GFK1-056-R	1,19	GFK1-056-R-8Z	1,31
60	50	80 x 6	105	18	7	6	13,5	M12 x 40	GFK1-060-R	1,22	GFK1-060-R-8Z	1,34
67	57	80 x 6	113	18	7	6	13,5	M12 x 40	GFK1-067-R	1,31	GFK1-067-R-8Z	1,43
70	60	80 x 6	116	18	9	6	13,5	M12 x 40	GFK1-070-R	1,34	GFK1-070-R-8Z	1,46
81	71	80 x 6	128	18	9	6	13,5	M12 x 40	GFK1-081-R	1,47	GFK1-081-R-8Z	1,59
86	76	80 x 6	133	18	9	6	13,5	M12 x 40	GFK1-086-R	1,53	GFK1-086-R-8Z	1,65
91	81	80 x 6	138	18	9	6	13,5	M12 x 40	GFK1-091-R	1,59	GFK1-091-R-8Z	1,71
97	87	80 x 6	144	18	9	6	13,5	M12 x 40	GFK1-097-R	1,65	GFK1-097-R-8Z	1,77
100	90	80 x 6	147	18	9	6	13,5	M12 x 40	GFK1-100-R	1,68	GFK1-100-R-8Z	1,80
106	96	80 x 6	153	18	9	6	13,5	M12 x 40	GFK1-106-R	1,76	GFK1-106-R-8Z	1,88
119	109	80 x 6	167	18	9	6	13,5	M12 x 40	GFK1-119-R	1,91	GFK1-119-R-8Z	2,03
121	111	80 x 6	169	18	11	6	13,5	M12 x 40	GFK1-121-R	1,93	GFK1-121-R-8Z	2,05
126	116	80 x 6	174	18	11	6	13,5	M12 x 40	GFK1-126-R	1,99	GFK1-126-R-8Z	2,11
145	135	80 x 6	193	18	11	6	13,5	M12 x 40	GFK1-145-R	2,22	GFK1-145-R-8Z	2,34
148	138	80 x 6	196	18	11	6	13,5	M12 x 40	GFK1-148-R	2,25	GFK1-148-R-8Z	2,37
153	143	80 x 6	202	18	11	6	13,5	M12 x 40	GFK1-153-R	2,31	GFK1-153-R-8Z	2,43
170	160	120 x 8	237	24	14	8	17,5	M16 x 50	GFK1-170-R	5,41	GFK1-170-R-8Z	5,93
175	165	120 x 8	242	24	14	8	17,5	M16 x 50	GFK1-175-R	5,53	GFK1-175-R-8Z	6,05
181	171	120 x 8	248	24	14	8	17,5	M16 x 50	GFK1-181-R	5,67	GFK1-181-R-8Z	6,19
219	209	120 x 8	287	24	14	8	17,5	M16 x 50	GFK1-219-R	6,58	GFK1-219-R-8Z	7,10
223	213	120 x 8	291	24	14	8	17,5	M16 x 50	GFK1-223-R	6,67	GFK1-223-R-8Z	7,19
229	219	120 x 8	297	24	14	8	17,5	M16 x 50	GFK1-229-R	6,81	GFK1-229-R-8Z	7,33
238	228	120 x 8	306	24	14	8	17,5	M16 x 50	GFK1-238-R	7,03	GFK1-238-R-8Z	7,55
269	259	80 x 8	343	30	14	8	22,0	M20 x 55	GFK1-269-R	5,35	GFK1-269-R-8Z	5,83
275	265	80 x 8	350	30	14	8	22,0	M20 x 55	GFK1-275-R	5,44	GFK1-275-R-8Z	5,92
283	273	80 x 8	358	30	14	8	22,0	M20 x 55	GFK1-283-R	5,57	GFK1-283-R-8Z	6,05
294	284	80 x 8	369	30	14	8	22,0	M20 x 55	GFK1-294-R	5,74	GFK1-294-R-8Z	6,22
321	311	80 x 8	396	30	14	8	22,0	M20 x 55	GFK1-321-R	6,17	GFK1-321-R-8Z	6,65
328	318	80 x 8	403	30	14	8	22,0	M20 x 55	GFK1-328-R	6,28	GFK1-328-R-8Z	6,76
337	327	80 x 8	412	30	14	8	22,0	M20 x 55	GFK1-337-R	6,42	GFK1-337-R-8Z	6,90
350	340	80 x 8	425	30	14	8	22,0	M20 x 55	GFK1-350-R	6,63	GFK1-350-R-8Z	7,11

Notes: Other dimensions on request.



Pipe Clips Type GFK2

For nonmetallic piping

DN 25 - DN 300

Material:	S235JR DIN EN 10025-2
Finish:	The pipe clamp is to use with a HDPE-inlay, see page 25
	The tube slides in the pipe clamp. „For anchor“
	GRP pipes acc. Publisher policy

Pipe clamp inner diameter	Pipe outer diameter	B x S	A	C	F	R	d	bolt size	Article no. Clips without bolts and nuts	weight [kg]	Article no. Clips with bolts and nuts	weight incl. bolts [kg]
40	31	80 x 6	85	18	0	6	13,5	M12 x 40	GFK2-040-R	1,01	GFK2-040-R-8Z	1,13
44	35	80 x 6	90	18	0	6	13,5	M12 x 40	GFK2-044-R	1,06	GFK2-044-R-8Z	1,18
47	38	80 x 6	93	18	0	6	13,5	M12 x 40	GFK2-047-R	1,09	GFK2-047-R-8Z	1,21
51	42	80 x 6	97	18	0	6	13,5	M12 x 40	GFK2-051-R	1,14	GFK2-051-R-8Z	1,26
55	46	80 x 6	102	18	0	6	13,5	M12 x 40	GFK2-055-R	1,19	GFK2-055-R-8Z	1,31
60	50	80 x 6	105	18	0	6	13,5	M12 x 40	GFK2-060-R	1,22	GFK2-060-R-8Z	1,34
66	57	80 x 6	113	18	0	6	13,5	M12 x 40	GFK2-066-R	1,31	GFK2-066-R-8Z	1,43
69	60	80 x 6	116	18	0	6	13,5	M12 x 40	GFK2-069-R	1,34	GFK2-069-R-8Z	1,46
80	71	80 x 6	128	18	0	6	13,5	M12 x 40	GFK2-080-R	1,47	GFK2-080-R-8Z	1,59
85	76	80 x 6	133	18	0	6	13,5	M12 x 40	GFK2-085-R	1,53	GFK2-085-R-8Z	1,65
90	81	80 x 6	138	18	0	6	13,5	M12 x 40	GFK2-090-R	1,59	GFK2-090-R-8Z	1,71
96	87	80 x 6	144	18	0	6	13,5	M12 x 40	GFK2-096-R	1,65	GFK2-096-R-8Z	1,77
99	90	80 x 6	147	18	0	6	13,5	M12 x 40	GFK2-099-R	1,68	GFK2-099-R-8Z	1,80
105	96	80 x 6	153	18	0	6	13,5	M12 x 40	GFK2-105-R	1,76	GFK2-105-R-8Z	1,88
118	109	80 x 6	167	18	0	6	13,5	M12 x 40	GFK2-118-R	1,91	GFK2-118-R-8Z	2,03
120	111	80 x 6	169	18	0	6	13,5	M12 x 40	GFK2-120-R	1,93	GFK2-120-R-8Z	2,05
125	116	80 x 6	174	18	0	6	13,5	M12 x 40	GFK2-125-R	1,99	GFK2-125-R-8Z	2,11
144	135	80 x 6	193	18	0	6	13,5	M12 x 40	GFK2-144-R	2,22	GFK2-144-R-8Z	2,34
147	138	80 x 6	196	18	0	6	13,5	M12 x 40	GFK2-147-R	2,25	GFK2-147-R-8Z	2,37
152	143	80 x 6	202	18	0	6	13,5	M12 x 40	GFK2-152-R	2,31	GFK2-152-R-8Z	2,43
169	160	120 x 8	237	24	0	8	17,5	M16 x 50	GFK2-169-R	5,41	GFK2-169-R-8Z	5,93
174	165	120 x 8	242	24	0	8	17,5	M16 x 50	GFK2-174-R	5,53	GFK2-174-R-8Z	6,05
180	171	120 x 8	248	24	0	8	17,5	M16 x 50	GFK2-180-R	5,67	GFK2-180-R-8Z	6,19
219	209	120 x 8	287	24	0	8	17,5	M16 x 50	GFK2-219-R	6,58	GFK2-219-R-8Z	7,10
223	213	120 x 8	291	24	0	8	17,5	M16 x 50	GFK2-223-R	6,67	GFK2-223-R-8Z	7,19
229	219	120 x 8	297	24	0	8	17,5	M16 x 50	GFK2-229-R	6,81	GFK2-229-R-8Z	7,33
238	228	120 x 8	306	24	0	8	17,5	M16 x 50	GFK2-238-R	7,03	GFK2-238-R-8Z	7,55
269	259	80 x 8	343	30	0	8	22,0	M20 x 55	GFK2-269-R	5,35	GFK2-269-R-8Z	5,83
275	265	80 x 8	350	30	0	8	22,0	M20 x 55	GFK2-275-R	5,44	GFK2-275-R-8Z	5,92
283	273	80 x 8	358	30	0	8	22,0	M20 x 55	GFK2-283-R	5,57	GFK2-283-R-8Z	6,05
294	284	80 x 8	369	30	0	8	22,0	M20 x 55	GFK2-294-R	5,74	GFK2-294-R-8Z	6,22
321	311	80 x 8	396	30	0	8	22,0	M20 x 55	GFK2-321-R	6,17	GFK2-321-R-8Z	6,65
328	318	80 x 8	403	30	0	8	22,0	M20 x 55	GFK2-328-R	6,28	GFK2-328-R-8Z	6,76
337	327	80 x 8	412	30	0	8	22,0	M20 x 55	GFK2-337-R	6,42	GFK2-337-R-8Z	6,90
350	340	80 x 8	425	30	0	8	22,0	M20 x 55	GFK2-350-R	6,63	GFK2-350-R-8Z	7,11

Notes: Other dimensions on request.