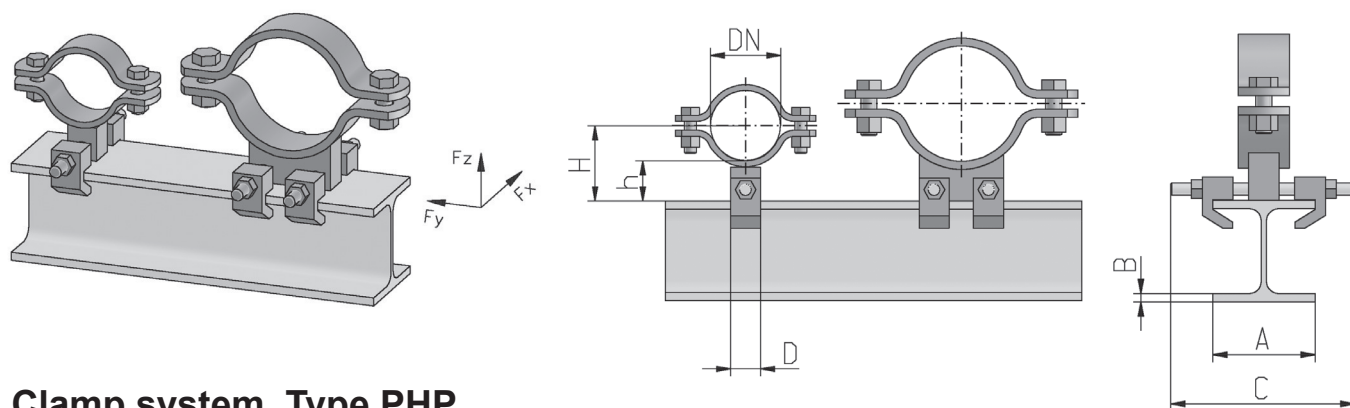


DN 15 - DN 80      DN 100 - DN 300

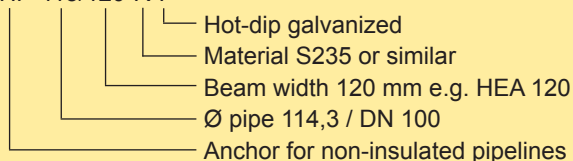


## Clamp system, Type PHP

<b>Anchor for non-insulated pipelines</b>	
<b>Material:</b>	S235 or similar, threaded parts 8.8 / 8, hot-dip galvanized; **
<b>Camber:</b>	M12 - 30 Nm
<b>Joining profile width:</b>	80 - 120 mm, other profiles on request *

Article no.	Ø pipe [mm]	H (MOP) [mm]	h (BOP) [mm]	A [mm]	B [mm]	C [mm]	D [mm]	loads [kN]			weight [kg]
								F <sub>x</sub>	F <sub>y</sub>	F <sub>z</sub>	
PHP-022/120-R-F	21,3	51	40	80 - 120	8 - 16	180	30	2,0	2,0	2,0	1,2
PHP-027/120-R-F	26,9	53	40	80 - 120	8 - 16	180	30	2,0	2,0	2,0	1,2
PHP-034/120-R-F	33,7	57	40	80 - 120	8 - 16	180	30	2,0	2,0	2,0	1,2
PHP-043/120-R-F	42,4	61	40	80 - 120	8 - 16	180	30	2,0	2,0	2,0	1,2
PHP-049/120-R-F	48,3	64	40	80 - 120	8 - 16	180	30	2,0	2,0	2,0	1,3
PHP-057/120-R-F	57,0	69	40	80 - 120	8 - 16	180	30	2,0	2,0	2,0	1,6
PHP-061/120-R-F	60,3	70	40	80 - 120	8 - 16	180	30	2,0	2,0	2,0	1,6
PHP-077/120-R-F	76,1	78	40	80 - 120	8 - 16	180	30	2,0	2,0	2,0	1,7
PHP-089/120-R-F	88,9	84	40	80 - 120	8 - 16	180	30	2,0	2,0	2,0	1,8
PHP-115/120-R-F	114,3	97	40	80 - 120	8 - 16	180	100	4,0	4,0	4,0	4,1
PHP-140/120-R-F	139,7	110	40	80 - 120	8 - 16	180	100	4,0	4,0	4,0	4,3
PHP-169/120-R-F	168,3	124	40	80 - 120	8 - 16	180	100	4,0	4,0	4,0	4,5
PHP-220/120-R-F	219,1	150	40	80 - 120	8 - 16	180	100	4,0	4,0	4,0	5,1
PHP-273/120-R-F	273,0	177	40	80 - 120	8 - 16	180	120	4,0	4,0	4,0	6,8
PHP-324/120-R-F	323,9	202	40	80 - 120	8 - 16	180	120	4,0	4,0	4,0	7,3

### Ordering example: PHP-115/120-R-F



\* Notes: Should you need a clamp-systems for other types of section, please indicate this in article-no. e.g. Rohr-Ø 60,3; HEA 160: PHP-115/160-R-F

\*\* Notes: Clamp-system also available for stainless steel pipes. Ordering example: PHP-115/120-RF-V  
Other diameters on request.