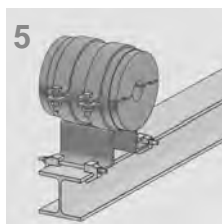
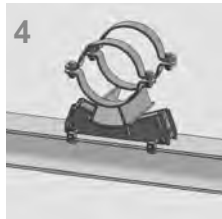
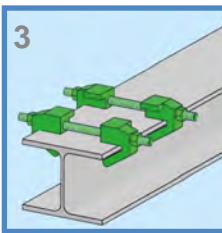
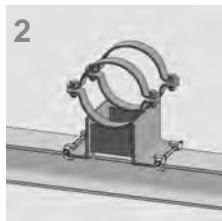
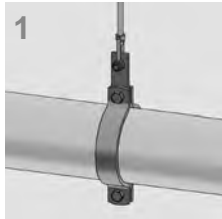




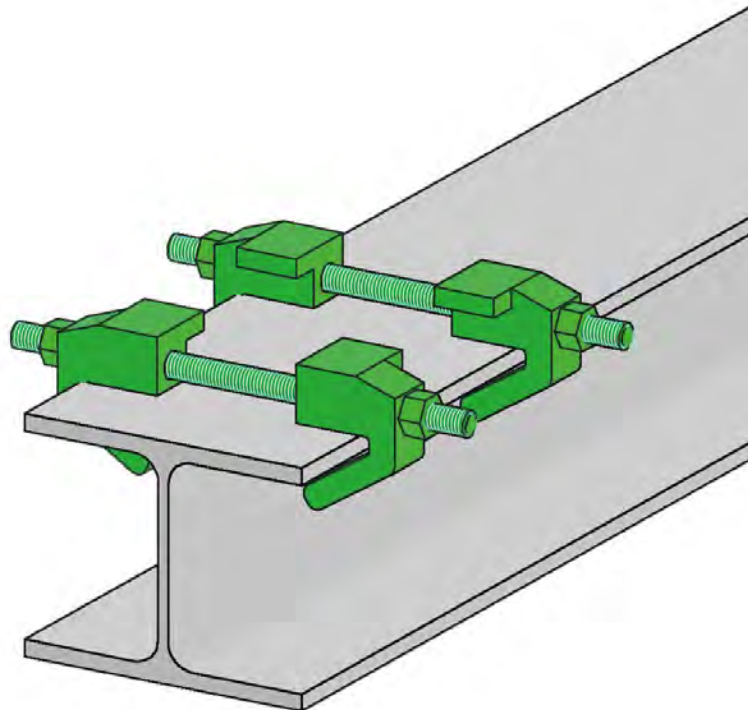
Bernecker

Rohrbefestigungstechnik GmbH



Clamp systems

Catalogue 3
english



Overview



catalogue no.



Pipe clamps, Accessories

1



Sliding supports

2



Clamp systems

3



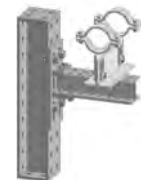
Roller bearings

4



Pre-insulated pipe supports

5



ModularSystems / ModularSupport

6



ModularSteel 120

7



ModularSteel 80

8

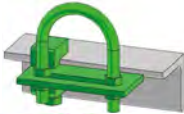

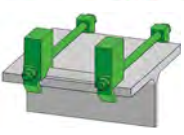





Installation Instructions

10

Table of contents

	Article name	Type	Size	Page
Clamp systems insulated pipelines				
	Profile clamp set with lift-off prevention	PDA	M10, M12, M20	5
	Profile clamp set with lift-off prevention	PDK	M12, M20	6
	Profile clamp set with guide	PD	M12, M16, M20	7
	Axial stop	PDX	M12, M16, M20	8
	Profile clamp set with guide	PDH	M20	9
	Profile clamp set with lift-off prevention	PKA	M12, M16, M20	10
	Profile clamp set with guide	PKF	M12, M16, M20	11
	Profile clamp set with lift-off prevention	PPU	M12	12
	Profile clamp set with lift-off prevention PT-support plate	PPU-PT	M12	12
	Lift-off prevention with support plate	PKT + PTK	M12	13
	Profile clamp (guide and lift-off prevention)	PKAH	M12	14
	Profile clamp (anchor function / fixed point)	PKFP	M12, M20	15
	Profile clamp set with lift-off prevention	PDA-W	M12	16
	Profile clamp set with lift-off prevention	PDA-UM	M12	16

	Article name	Type	Size	Page
Clamp systems for non-insulated pipelines				
	U-bolt holder	PK-RSBG, -1	M12	17
	U-bolt holder	PK-RSBG, -2	M12	17
	Guide	PKFF	M16	18
	Guide	PKFF	M16, M20	18
Accessories				
	Beam Hangers	PAH	M12, M16, M20	19
	Clampplate	KP		19
	Connecting kit	STB-AS, STL-AS/-ASD	M12, M16	20
	Order sheet			21

Bernecker clamp systems have been designed to cover the range of commercially available beam sections.

Dimensions can be found on the individual catalogue pages.

The maximum permitted loads in kN given in the catalogue (F_x , F_y , F_z) are for standard load cases for our clamp systems (max. 80 °C). It must be ensured that the assembly is carried out with the specified preload forces and that it is used as intended (see information on the catalogue page).

Our standardized clamping systems offer the user a number of significant technical and economic advantages for pipe fastenings. Fixed points, slide and guide bearings as well as roller bearings are attached to the beam without welding.

Of course, we also offer special supports for special problem solutions.

General remark

The material grades S235 and S355 are in accordance with DIN EN 10025-2.

The screw strength class 8.8 is according to DIN EN ISO 898-1.

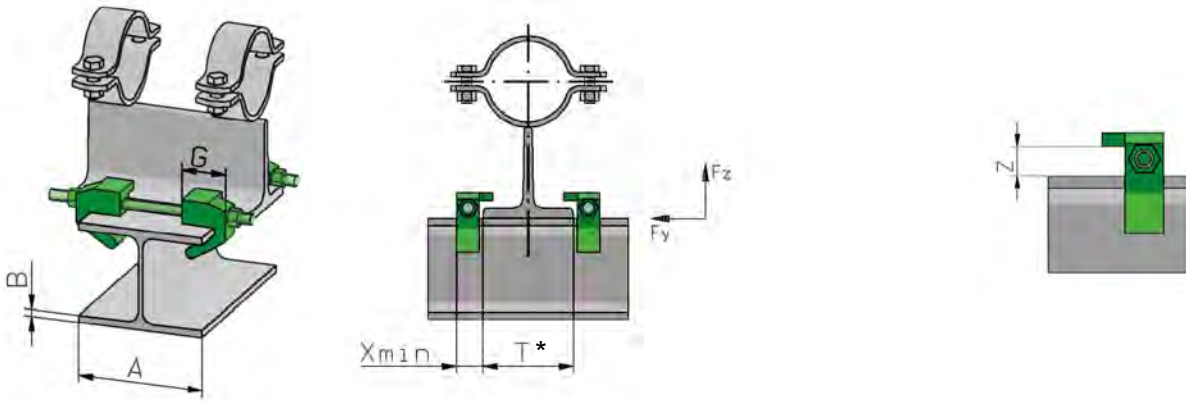
Hot-dip galvanizing standard is according to DIN EN ISO 1461 or ASTM 123.

Legal Notice

With the publication of this catalogue previous editions are no longer valid. The reproduction, distribution and utilization of this document as well as the communication of its contents to others without express authorization is prohibited. Offenders will be held liable for the payment of damages. All rights reserved in the event of the grant of a patent, utility model or design.

For any typographical errors, product changes due to technical developments and changing model no liability is accepted. In addition, all components must be used according to purposes.

Additional information about our delivery services, as well as technical information, can be taken from the current catalogues. Our general terms and conditions apply, see <https://de.bernecker-gmbh.com/download/>



Clamp system, Type PDA

Profile clamp set with lift-off prevention for pipe bearings	
Material / Execution:	S235 or similar, threaded parts 8.8 / 8, hot-dip galvanized; including screw connection
Torque:	M10 - 25 Nm, M12 - 30 Nm, M20 - 120 Nm
Connection profile:	Flange width 80 - 300 mm, other profiles on request

Type PDA M10, for ModularSteel 120, ModularSteel 80, T80 - T120, TB50, TB40

Article no.	connecting profile flange		G [mm]	X [mm]	Z [mm]	loads [kN]		weight [kg]
	A [mm]	B [mm]				F _z	F _y	
PDA-120/10-R-F	80 - 120	7 - 8	30	20	13	11,0	6,0	1,0

Type PDA M12, for connection profile flange width 85 - 300

Article no.	connecting profile flange		G [mm]	X [mm]	Z [mm]	loads [kN]		weight [kg]
	A [mm]	B [mm]				F _z	F _y	
PDA-120/12-R-F	085 - 120	8 - 20	50	25	18	22,0	10,0	2,0
PDA-160/12-R-F	130 - 160	8 - 20	50	25	18	19,0	9,0	2,0
PDA-200/12-R-F	170 - 200	8 - 20	50	25	18	18,0	8,0	2,1
PDA-240/12-R-F	210 - 240	8 - 20	50	25	18	15,0	7,0	2,1
PDA-300/12-R-F	250 - 300	8 - 20	50	25	18	13,0	6,0	2,3

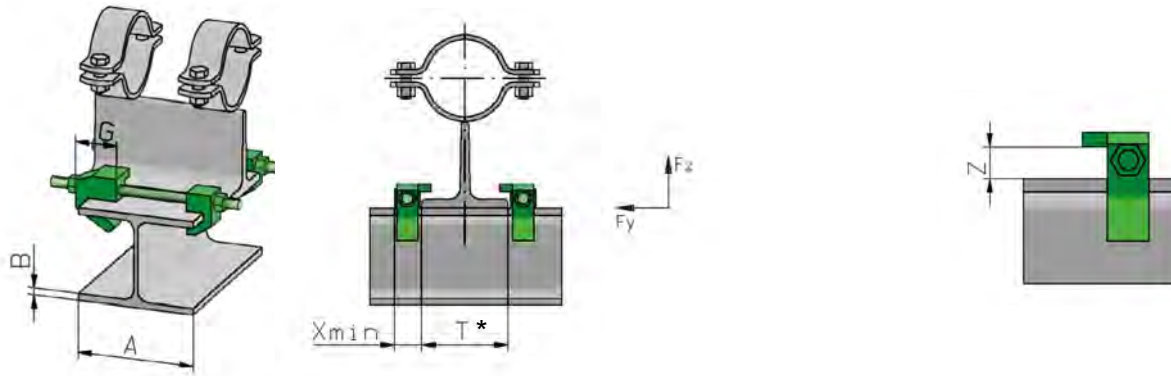
Type PDA M20, for connection profile flange width 200 - 300

Article no.	connecting profile flange		G [mm]	X [mm]	Z [mm]	loads [kN]		weight [kg]
	A [mm]	B [mm]				F _z	F _y	
PDA-300/20-R-F	200 - 300	8 - 26	50	40	25	45,0	15,0	6,1

Ordering example: PDA-200/12-R-F

- Hot-dip galvanized
- Material S235 or similar
- Diameter of thread rods: Ø12
- Profile flange width 170 - 200 mm e.g. HEA 200
- Profile clamp set with lift-off prevention, without Sliding plate

* T=Pipe support width



Clamp system, Type PDK

Profile clamp set with lift-off prevention for pipe bearings	
Material / Execution:	S235 or similar, threaded parts 8.8 / 8, hot-dip galvanized; including screw connection
Torque:	M12 - 30 Nm, M20 - 120 Nm
Connection profile:	Flange width 80 - 300 mm, other profiles on request

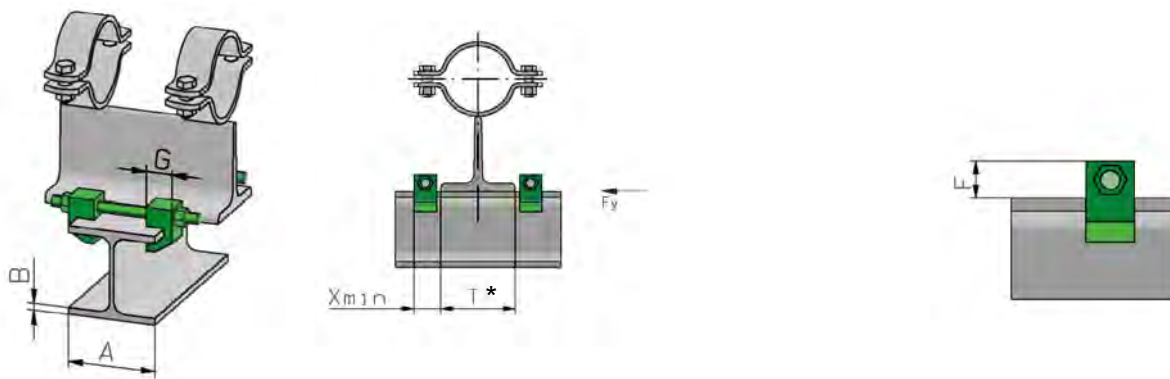
Article no.	connecting profile flange		G [mm]	X [mm]	Z [mm]	loads [kN]		weight [kg]
	A [mm]	B [mm]				F _z	F _y	
PDK-120/12-R-F	080 - 120	8 - 16	50	30	18	11,0	10,0	1,7
PDK-160/12-R-F	130 - 160	8 - 16	50	30	18	10,0	9,0	1,7
PDK-200/12-R-F	170 - 200	8 - 16	50	30	18	9,0	8,0	1,8
PDK-240/12-R-F	210 - 240	8 - 16	50	30	18	8,0	7,0	1,8
PDK-300/12-R-F	250 - 300	8 - 16	50	30	18	7,0	6,0	2,0

Article no.	connecting profile flange		G [mm]	X [mm]	Z [mm]	loads [kN]		weight [kg]
	A [mm]	B [mm]				F _z	F _y	
PDK-300/20-R-F	200 - 300	8 - 19	50	40	25	22,0	15,0	6,1

Ordering example: PDK-200/12-R-F

- Hot-dip galvanized
- Material S235 or similar
- Diameter of thread rods: Ø12
- Profile flange width 170 - 200 mm e.g. HEA 200
- Profile clamp set with lift-off prevention, without Sliding plate

* T=Pipe support width



Clamp system, Type PD

Profile clamp set with guide for pipe bearings	
Material / Execution:	S235 or similar, threaded parts 8.8 / 8, hot-dip galvanized; including screw connection
Torque:	M12 - 30 Nm, M16 - 90 Nm, M20 - 120 Nm
Connection profile:	Flange width 80 - 300 mm, other profiles on request

Article no.	connecting profile flange		G [mm]	X [mm]	F [mm]	loads [kN]		weight [kg]
	A [mm]	B [mm]				F_y		
PD-120/12-R-F	80 - 120	8 - 16	30	30	22	10,0		1,4
PD-160/12-R-F	130 - 160	8 - 16	30	30	22	9,0		1,5
PD-200/12-R-F	170 - 200	8 - 16	30	30	22	8,0		1,6
PD-240/12-R-F	210 - 240	8 - 16	30	30	22	7,0		1,7
PD-300/12-R-F	250 - 300	8 - 16	30	30	22	6,0		1,8

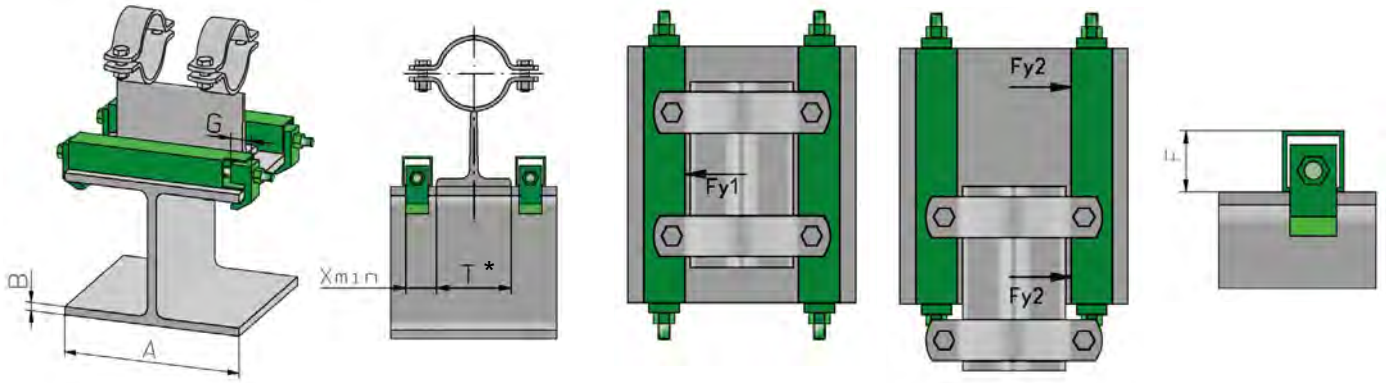
Article no.	connecting profile flange		G [mm]	X [mm]	F [mm]	loads [kN]		weight [kg]
	A [mm]	B [mm]				F_y		
PD-160/16-R-F	130 - 160	8 - 19	30	30	30	14,0		2,3
PD-200/16-R-F	170 - 200	8 - 19	30	30	30	14,0		2,4
PD-240/16-R-F	200 - 240	8 - 19	30	30	30	13,0		2,5
PD-300/16-R-F	260 - 300	8 - 19	30	30	30	13,0		2,7

Article no.	connecting profile flange		G [mm]	X [mm]	F [mm]	loads [kN]		weight [kg]
	A [mm]	B [mm]				F_y		
PD-160/20-R-F	130 - 160	8 - 19	50	40	40	18,0		5,5
PD-200/20-R-F	170 - 200	8 - 19	50	40	40	18,0		5,7
PD-240/20-R-F	200 - 240	8 - 19	50	40	40	15,0		5,9
PD-300/20-R-F	200 - 300	8 - 19	50	40	40	15,0		6,3

Ordering example: PD-200/12-R-F

- Hot-dip galvanized
- Material S235 or similar
- Diameter of thread rods: Ø12
- Profile flange width 170 - 200 mm e.g. HEA 200
- Profile clamp set with guide

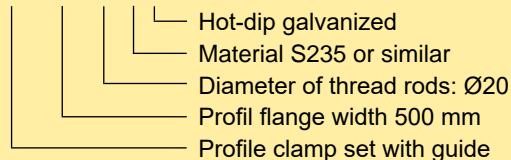
* T=Pipe support width



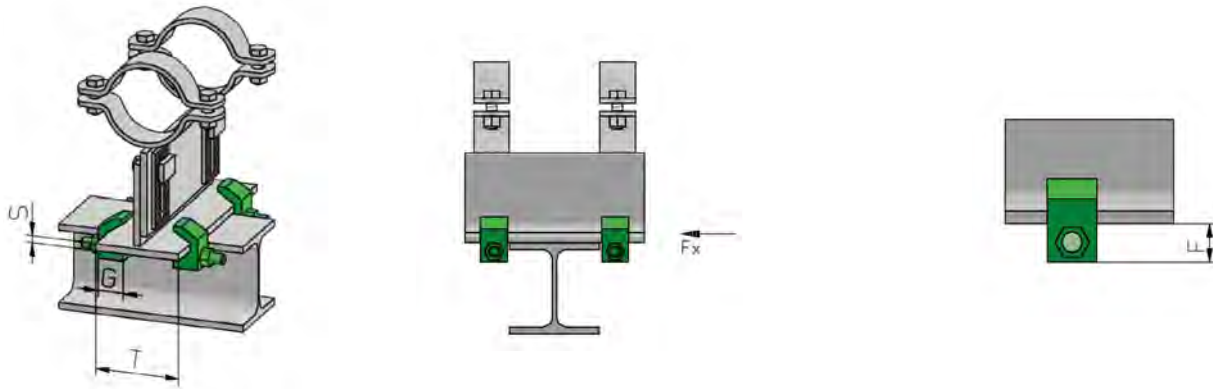
Clamp system, Type PDH

Profile clamp set with guide for pipe bearings								
Material / Execution:		S235 or similar, threaded parts 8.8 / 8, hot-dip galvanized; including screw connection						
Torque:		M20 - 160 Nm						
Connection profile:		Flange width 500, 550,600 mm, other profiles on request						
Article no.	connecting profile flange		G [mm]	X [mm]	F [mm]	loads [kN]		weight [kg]
	A [mm]	B [mm]				F _{y1}	F _{y2}	
PDH-400/20-R-F	400	30	100	50	50	18,0	2 x 9,0 = 18,0	18,0
PDH-500/20-R-F	500	30	100	50	50	14,5	2 x 9,0 = 18,0	20,5
PDH-550/20-R-F	550	50	100	50	50	13,2	2 x 9,0 = 18,0	21,7
PDH-600/20-R-F	600	50	100	50	50	12,1	2 x 9,0 = 18,0	22,9

Ordering example: PDH-500/20-R-F



* T=Pipe support width



Clamp system, Type PDX, for axial bumper

Profile clamp set with guide for pipe bearings, assembled with support	
Material / Execution:	S235 or similar, threaded parts 8.8 / 8, hot-dip galvanized; including screw connection
Torque:	M12 - 30 Nm, M16 - 90 Nm, M20 - 120 Nm
Connection profile:	pipe support width 80 - 440 mm, other profiles on request

Article no.	connecting profile flange		G [mm]	F [mm]	loads [kN]		weight [kg]
	T [mm]	S [mm]			F_x		
PDX-120/12-R-F	80 - 120	8 - 16	30	22	10,0		1,4
PDX-160/12-R-F	130 - 160	8 - 16	30	22	9,0		1,5
PDX-200/12-R-F	170 - 200	8 - 16	30	22	8,0		1,6
PDX-240/12-R-F	210 - 240	8 - 16	30	22	7,0		1,7
PDX-300/12-R-F	250 - 300	8 - 16	30	22	6,0		1,8

Article no.	connecting profile flange		G [mm]	F [mm]	loads [kN]		weight [kg]
	T [mm]	S [mm]			F_x		
PDX-160/16-R-F	130 - 160	8 - 19	30	30	14,0		2,3
PDX-200/16-R-F	170 - 200	8 - 19	30	30	14,0		2,4
PDX-240/16-R-F	200 - 240	8 - 19	30	30	13,0		2,5
PDX-300/16-R-F	260 - 300	8 - 19	30	30	13,0		2,7

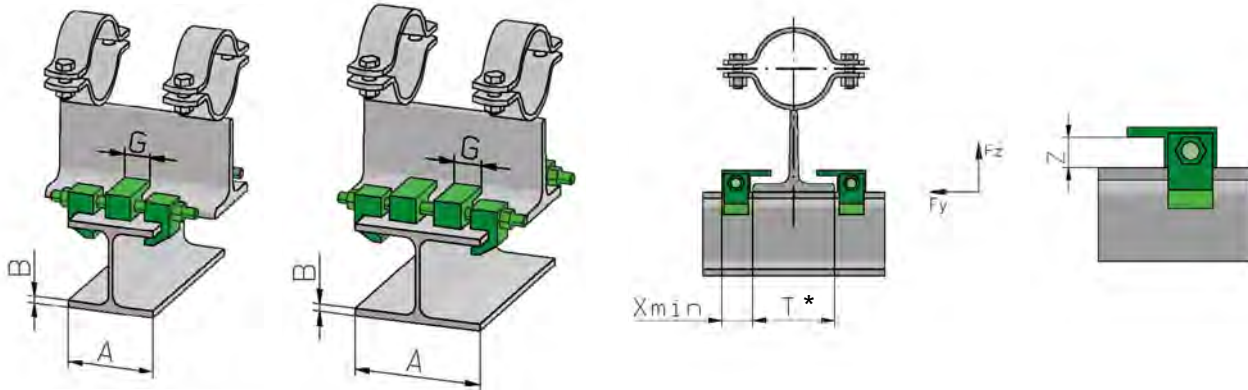
Article no.	connecting profile flange		G [mm]	F [mm]	loads [kN]		weight [kg]
	T [mm]	S [mm]			F_x		
PDX-160/20-R-F	130 - 160	8 - 19	50	40	18,0		5,5
PDX-200/20-R-F	170 - 200	8 - 19	50	40	18,0		5,7
PDX-240/20-R-F	200 - 240	8 - 19	50	40	15,0		5,9
PDX-300/20-R-F	200 - 300	8 - 19	50	40	15,0		6,3
PDX-440/20-R-F	300 - 440	8 - 19	50	40	12,0		7,1

Ordering example: PDX-120/12-R-F

- └─ Hot-dip galvanized
- └─ Material S235 or similar
- └─ Diameter of thread rods: Ø12
- └─ Pipe support width 80-100 mm e.g. GLVB-115/1-R-B3
- └─ Profile clamp set with guide

Connection profile flange width
80 - 200

Connection profile flange width
200 - 300



Clamp system, Type PKA

Profile clamp set with lift-off prevention for pipe bearings	
Material / Execution:	S235 or similar, threaded parts 8.8 / 8, hot-dip galvanized; including screw connection
Torque:	M12 - 30 Nm, M16 - 90 Nm, M20 - 120 Nm
Connection profile:	Flange width 80 - 300 mm, other profiles on request

Article no.	connecting profile flange		G [mm]	X [mm]	Z [mm]	loads [kN]		weight [kg]
	A [mm]	B [mm]				F _z	F _y	
PKA-080/12-R-F	80	8 - 16	30	35	17	7,0	12,0	1,9
PKA-120/12-R-F	100 - 120	8 - 16	60	35	17	6,0	10,0	2,3
PKA-160/12-R-F	130 - 160	8 - 16	60	35	17	5,0	9,0	2,4
PKA-200/12-R-F	170 - 200	8 - 16	60	35	17	5,0	8,0	2,5

Article no.	connecting profile flange		G [mm]	X [mm]	Z [mm]	loads [kN]		weight [kg]
	A [mm]	B [mm]				F _z	F _y	
PKA-160/16-R-F	130 - 160	8 - 19	60	40	17	9,0	11,0	3,7
PKA-200/16-R-F	170 - 200	8 - 19	60	40	17	9,0	11,0	3,8
PKA-240/16-R-F	200 - 240	8 - 19	60	40	17	10,0	13,0	5,3
PKA-300/16-R-F	260 - 300	8 - 19	60	40	17	10,0	13,0	5,5

Article no.	connecting profile flange		G [mm]	X [mm]	Z [mm]	loads [kN]		weight [kg]
	A [mm]	B [mm]				F _z	F _y	
PKA-160/20-R-F	130 - 160	8 - 19	60	50	17	12,0	10,0	7,9
PKA-200/20-R-F	170 - 200	8 - 19	60	50	17	12,0	10,0	8,1
PKA-240/20-R-F	200 - 240	8 - 19	60	50	17	20,0	15,0	10,7
PKA-300/20-R-F	260 - 300	8 - 19	60	50	17	20,0	15,0	11,1

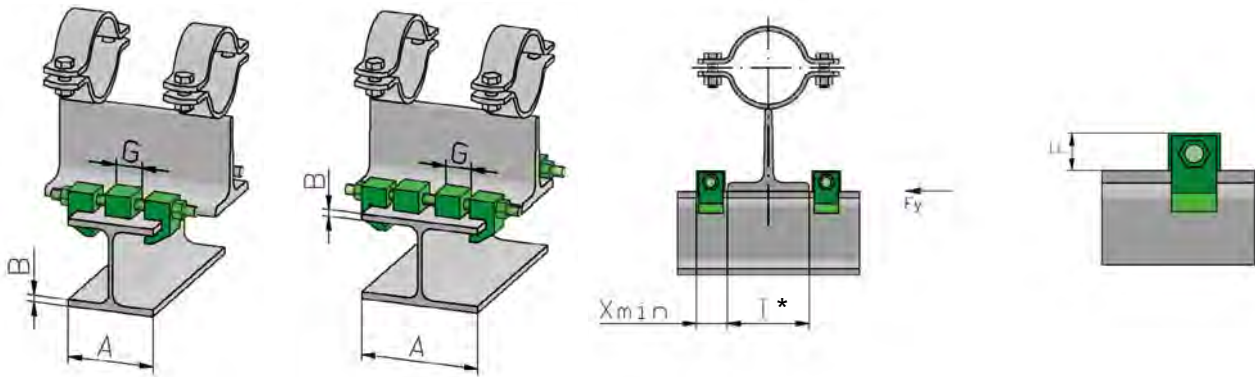
Ordering example: PKA-300/16-R-F

- Hot-dip galvanized
- Material S235 or similar
- Diameter of thread rods: Ø12
- Profile flange width 260 - 300 mm e.g. HEA 300
- Profile clamp set with lift-off prevention, without Sliding plate

* T=Pipe support width

Connection profile flange width
80 - 200

Connection profile flange width
200 - 300



Clamp system, Type PKF

Profile clamp set with guide for pipe bearings	
Material / Execution:	S235 or similar, threaded parts 8.8 / 8, hot-dip galvanized; including screw connection
Torque:	M12 - 30 Nm, M16 - 90 Nm, M20 - 120 Nm
Connection profile:	Flange width 80 - 300 mm, other profiles on request

Article no.	connecting profile flange		F [mm]	G [mm]	X [mm]	loads [kN]	weight [kg]
	A [mm]	B [mm]					
PKF-080/12-R-F	80	8 - 16	25	30	35	12,0	1,9
PKF-120/12-R-F	100 - 120	8 - 16	25	60	35	10,0	2,3
PKF-160/12-R-F	130 - 160	8 - 16	25	60	35	9,0	2,4
PKF-200/12-R-F	170 - 200	8 - 16	25	60	35	8,0	2,5

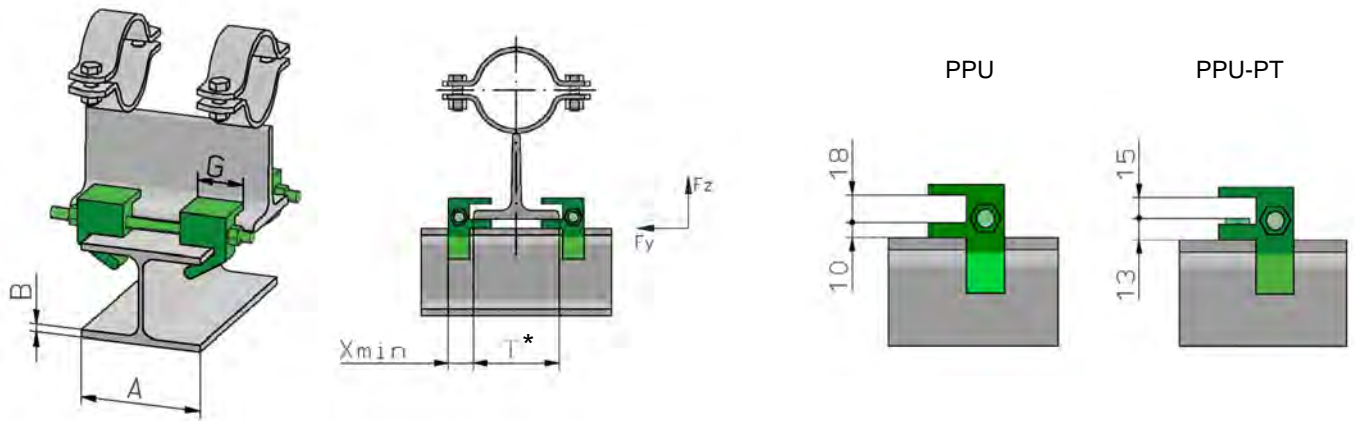
Article no.	connecting profile flange		F [mm]	G [mm]	X [mm]	loads [kN]	weight [kg]
	A [mm]	B [mm]					
PKF-160/16-R-F	130 - 160	8 - 19	40	60	40	14,0	3,9
PKF-200/16-R-F	170 - 200	8 - 19	40	60	40	14,0	4,0
PKF-240/16-R-F	200 - 240	8 - 19	40	60	40	13,0	5,7
PKF-300/16-R-F	260 - 300	8 - 19	40	60	40	13,0	5,9

Article no.	connecting profile flange		F [mm]	G [mm]	X [mm]	loads [kN]	weight [kg]
	A [mm]	B [mm]					
PKF-160/20-R-F	130 - 160	8 - 19	50	60	50	18,0	7,9
PKF-200/20-R-F	170 - 200	8 - 19	50	60	50	18,0	8,1
PKF-240/20-R-F	200 - 240	8 - 19	50	60	50	15,0	10,3
PKF-300/20-R-F	260 - 300	8 - 19	50	60	50	15,0	10,7

Ordering example: PKF-240/20-R-F

- Hot-dip galvanized
- Material S235 or similar
- Diameter of thread rods: Ø12
- Profile flange width 240 mm e.g. HEA 240
- Profile clamp set with guide, without support plate

* T=Pipe support width



Clamp system, Type PPU

Profile clamp set with lift-off prevention for pipe bearings, bottom-ventilation	
Material / Execution:	S235 or similar, threaded parts 8.8 / 8, hot-dip galvanized; including screw connection
Torque:	M12 - 30 Nm
Connection profile:	Flange width 85 - 300 mm, other profiles on request

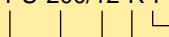
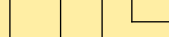
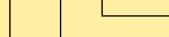
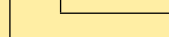
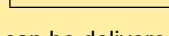
Article no.	connecting profile flange		G [mm]	X [mm]	loads [kN]		weight [kg]
	A [mm]	B [mm]			F _z	F _y	
PPU-120/12-R-F	085 - 120	8 - 20	50	26	22,0	10,0	2,8
PPU-160/12-R-F	130 - 160	8 - 20	50	26	19,0	9,0	2,9
PPU-200/12-R-F	170 - 200	8 - 20	50	26	18,0	8,0	3,1
PPU-240/12-R-F	210 - 240	8 - 20	50	26	15,0	7,0	3,1
PPU-300/12-R-F	250 - 300	8 - 20	50	26	13,0	6,0	3,2

Clamp system, Type PPU-PT

Profile clamp set with lift-off prevention for pipe bearings, bottom-ventilation, with PTFE-support plate -35°C to +80°C	
Material / Execution:	S235 or similar, threaded parts 8.8 / 8, hot-dip galvanized; including screw connection
Torque:	M12 - 30 Nm
Connection profile:	Flange width 85 - 300 mm, other profiles on request

Article no.	connecting profile flange		G [mm]	X [mm]	loads [kN]		weight [kg]
	A [mm]	B [mm]			F _z	F _y	
PPU-PT-120/12-R-F	085 - 120	8 - 20	50	26	22,0	10,0	2,8
PPU-PT-160/12-R-F	130 - 160	8 - 20	50	26	19,0	9,0	2,9
PPU-PT-200/12-R-F	170 - 200	8 - 20	50	26	18,0	8,0	3,1

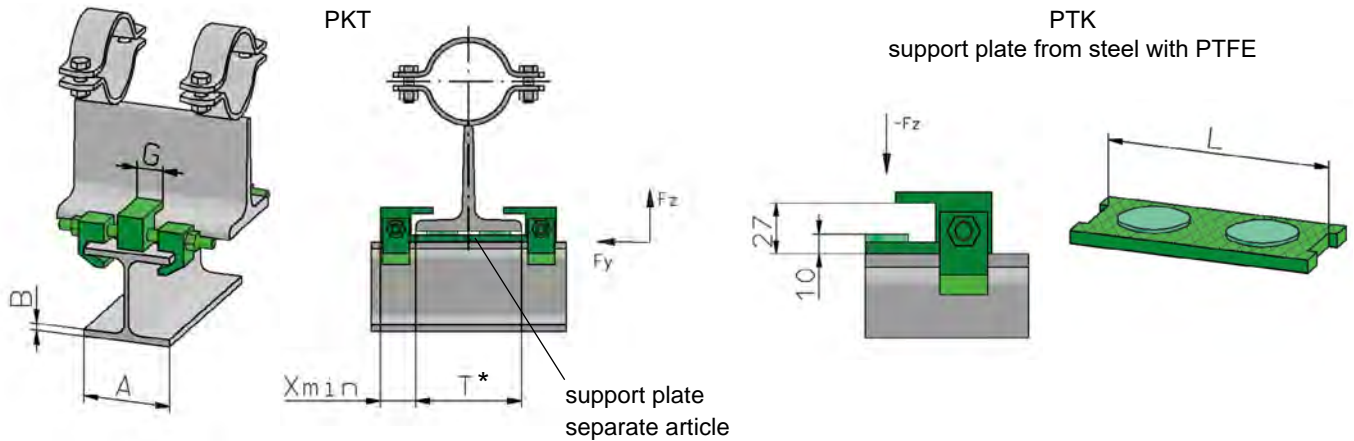
Ordering example: PPU-200/12-R-F

-  Hot-dip galvanized
-  Material S235 or similar
-  Diameter of thread rods: Ø12
-  Profile flange width 170 - 200 mm e.g. HEA 200
-  Profile clamp set with lift-off prevention, without Sliding plate

Notes: A middle piece can be delivered for PPU with profiles > 240 mm width, combined with short supports.

Please ask for PK-AM-12.

* T=Pipe support width



Clamp system, Type PKT

Profile clamp set with lift-off prevention for pipe bearings with support plate (support plate separate)	
Material / Execution:	S235 or similar, threaded parts 8.8 / 8, hot-dip galvanized; including screw connection
Torque:	M12 - 30 Nm
Connection profile:	Flange width 80 - 300 mm, other profiles on request

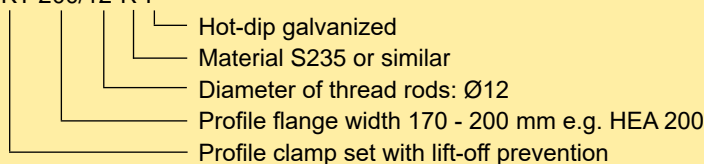
Article no.	connecting profile flange		G [mm]	X [mm]	loads [kN]		weight [kg]
	A [mm]	B [mm]			F _z	F _y	
PKT-120/12-R-F	100 - 120	8 - 16	30	40	3,0	10,0	2,0
PKT-160/12-R-F	130 - 160	8 - 16	30	40	2,5	9,0	2,1
PKT-200/12-R-F	170 - 200	8 - 16	30	40	2,5	8,0	2,2

Support plate, Type PTK, for clamp system Type PKT

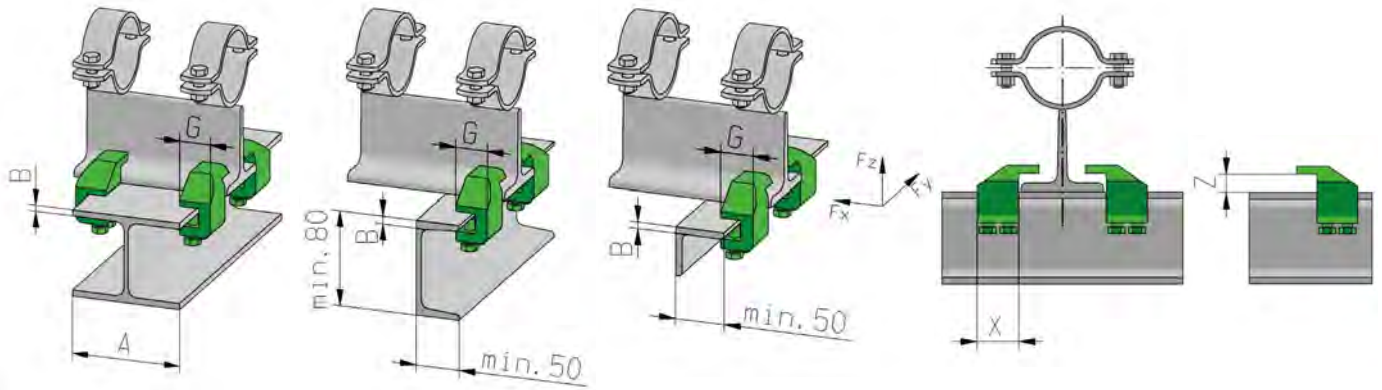
Support plate	
Material / Execution:	PTK from Stahl with PTFE embedded
Operational temperatures:	PTFE -35°C to +80°C
Connection profile:	Pipe support width 60 - 300 mm, other profiles on request

Article no. Type PTK from steel with PTFE	L [mm]	T* [mm]	-F _z bearing [kN]	weight [kg]
PTK-060-R-F	70	60	12,0	0,3
PTK-080-R-F	90	80	12,0	0,4
PTK-100-R-F	110	100	12,0	0,5
PTK-120-R-F	130	120	25,0	0,6
PTK-140-R-F	150	140	25,0	0,7
PTK-160-R-F	170	160	25,0	0,8
PTK-200-R-F	210	200	25,0	1,0
PTK-220-R-F	230	220	35,0	1,1
PTK-240-R-F	250	240	35,0	1,2
PTK-260-R-F	270	260	35,0	1,3
PTK-280-R-F	290	280	35,0	1,4
PTK-300-R-F	310	300	35,0	1,5

Ordering example: PKT-200/12-R-F



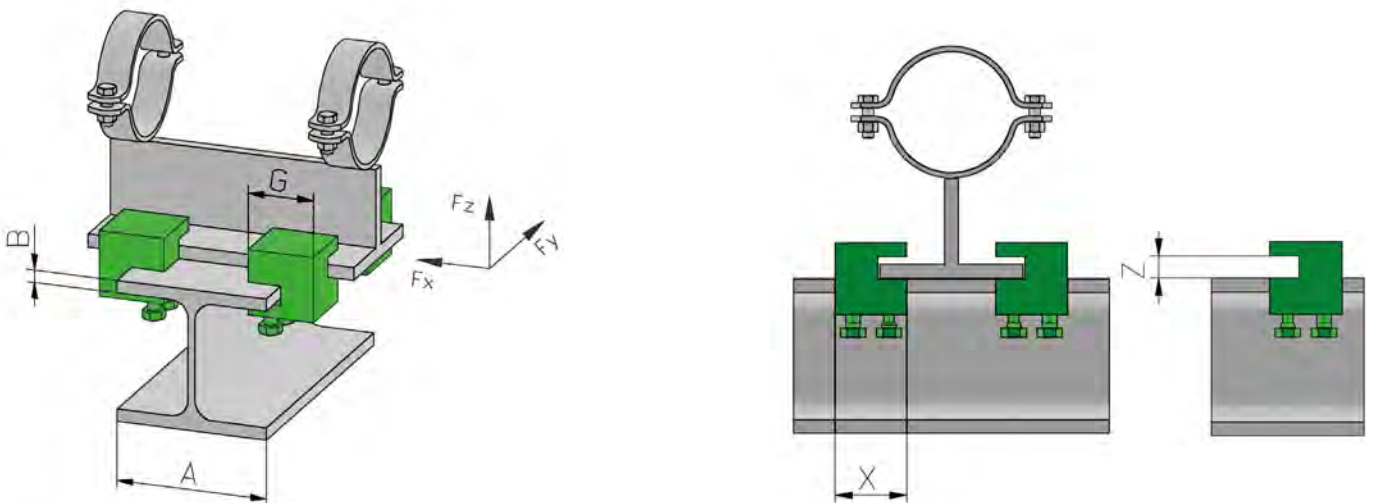
* T=Pipe support width



Clamp system, Type PKAH

Profile clamp for pipe shoes (guide and lift-off prevention)	
Material / Execution:	S235 or similar, threaded parts 8.8 / 8, hot-dip galvanized; including screw connection
Torque:	M12 - 25 Nm
Connection profile:	Flange width H-beam 80 - 300 mm, angle and channel profile min. 50mm

Profile	Article no.	connecting profile flange		set includes	G [mm]	X [mm]	Z [mm]	loads [kN]			weight [kg]
		A [mm]	B [mm]					F _x	F _y	F _z	
H I	PKAH-12x040-4-R-F	80 - 300	5 - 20	4 pieces	40	50	22,5	-	6,8	20,0	4,0
U C	PKAH-12x040-4-R-F	80 - 300	5 - 20	4 pieces	40	50	22,5	-	3,4	10,0	4,0
L W	PKAH-12x040-4-R-F	80 - 300	5 - 20	4 pieces	40	50	22,5	-	3,4	10,0	4,0

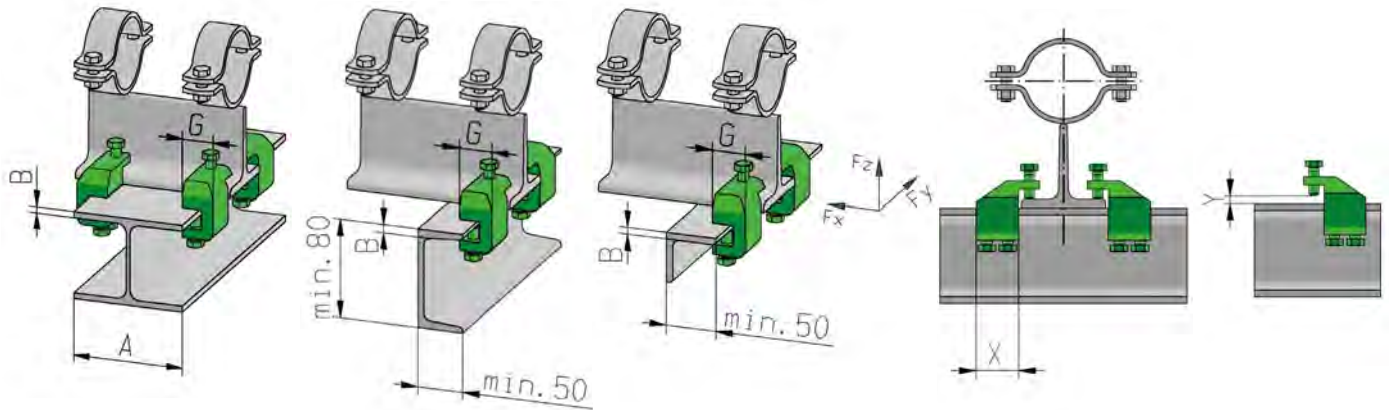


Clamp system, Type PKAH, for special use

Profile clamp for pipe shoes (guide and lift-off prevention)	
Material / Execution:	S235 or similar, threaded parts 8.8 / 8, hot-dip galvanized; including screw connection
Torque:	M20 - 100 Nm
Connection profile:	Flange width H-beam 120 - 600 mm

Profile	Article no.	connecting profile flange		set includes	G [mm]	X [mm]	Z [mm]	loads [kN]			weight [kg]
		A [mm]	B [mm]					F _x	F _y	F _z	
H I	PKAH-20-4-R-F	120 - 300	5 - 28	4 pieces	100	100	30	50,0	80,0	23,6	
H I	PKAH-20-4/50-R-F	300 - 600	30 - 50	4 pieces	100	100	30	50,0	80,0	29,2	

Attention - take care of the deformation of angle and channel profiles!
Note: Pipe support must rest against both ends of the beam.

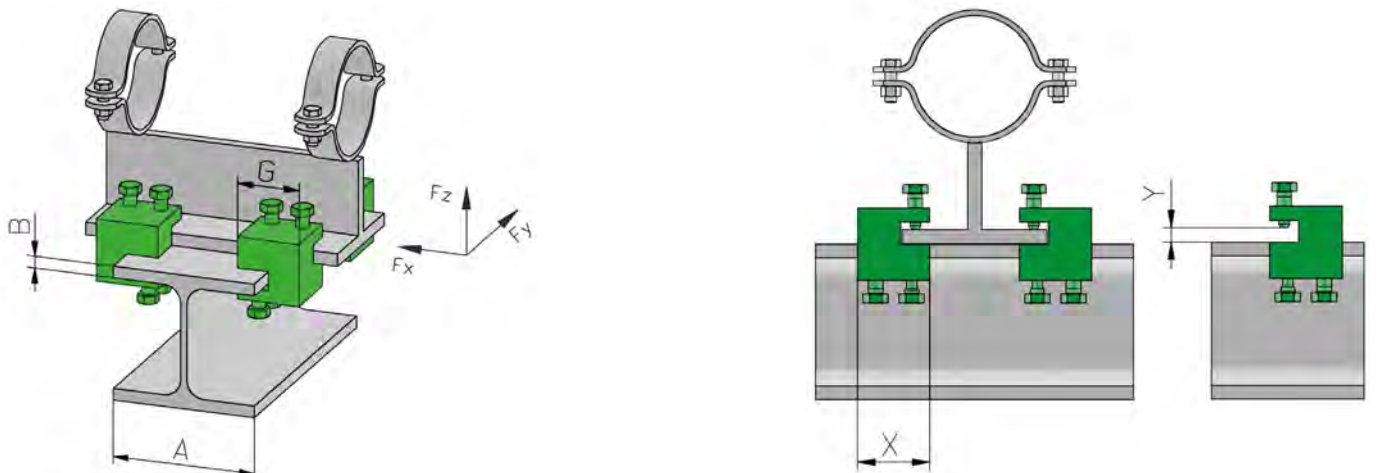


Clamp system, Type PKFP

Profile clamp for pipe shoes (anchor function / fixed point)											
Material / Execution:		S235 or similar, threaded parts 8.8 / 8, hot-dip galvanized; including screw connection									
Torque:		M12 - 25 Nm									
Connection profile:		Flange width H-beam 80 - 300 mm, angle and channel profile min. 50mm									

Profile	Article no.	connecting profile flange		set includes	G [mm]	X [mm]	Y [mm]	loads [kN]		weight [kg]
		A [mm]	B [mm]					F _h *	F _z	
H I	PKFP-12x040-4-R-F	80 - 300	5 - 20	4 pieces	40	50	5 - 20	13,6	20,0	4,4
U C	PKFP-12x040-4-R-F	80 - 300	5 - 20	4 pieces	40	50	5 - 20	6,8	10,0	4,4
L W	PKFP-12x040-4-R-F	80 - 300	5 - 20	4 pieces	40	50	5 - 20	6,8	10,0	4,4

* Horizontal force: $F_h = \sqrt{F_x^2 + F_y^2}$



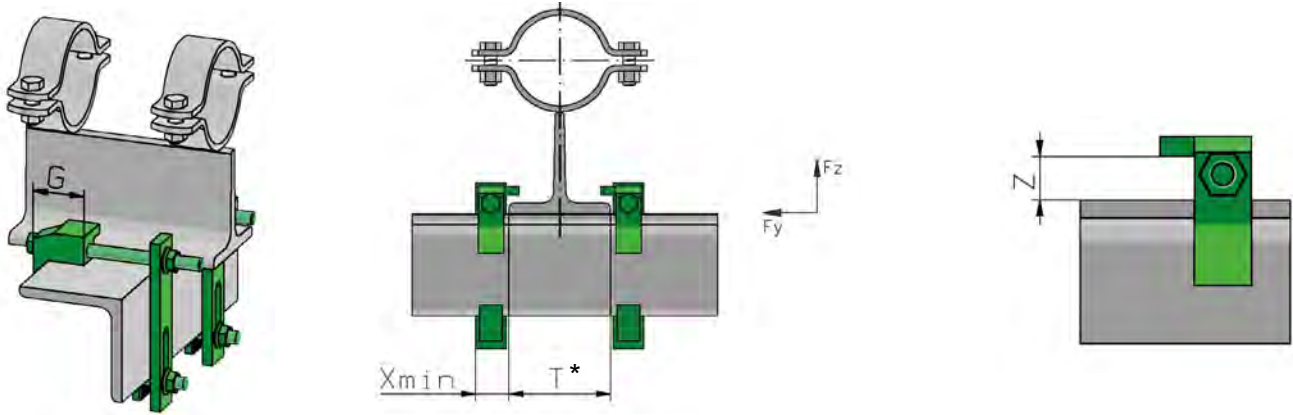
Clamp system, Type PKFP, for special use

Profile clamp for pipe shoes (anchor function / fixed point)											
Material / Execution:		S235 or similar, threaded parts 8.8 / 8, hot-dip galvanized; including screw connection									
Torque:		M20 - 100 Nm									
Connection profile:		Flange width H-beam 120 - 600 mm									

Profile	Article no.	connecting profile flange		set includes	G [mm]	X [mm]	Y [mm]	loads [kN]		weight [kg]
		A [mm]	B [mm]					F _h *	F _z	
H I	PKFP-20-4-R-F	120 - 300	5 - 28	4 pieces	100	100	5 - 28	100,0	80,0	24,8
H I	PKFP-20-4/50-R-F	300 - 600	30 - 50	4 pieces	100	100	5 - 28	100,0	80,0	30,4

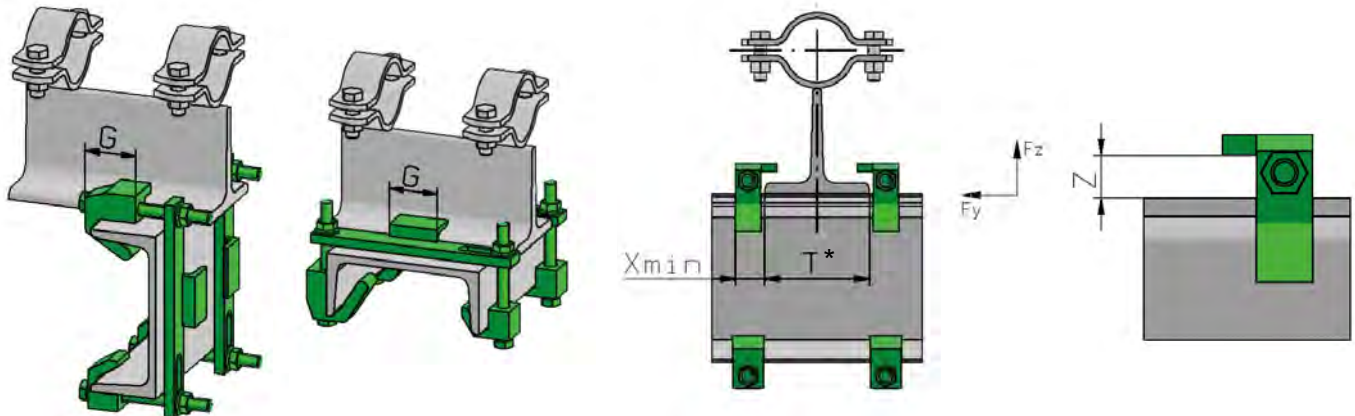
* Horizontal force: $F_h = \sqrt{F_x^2 + F_y^2}$

Attention - take care of the deformation of angle and channel profiles!
Note: Pipe support must rest against both ends of the beam.



Clamp system, Type PDA-W

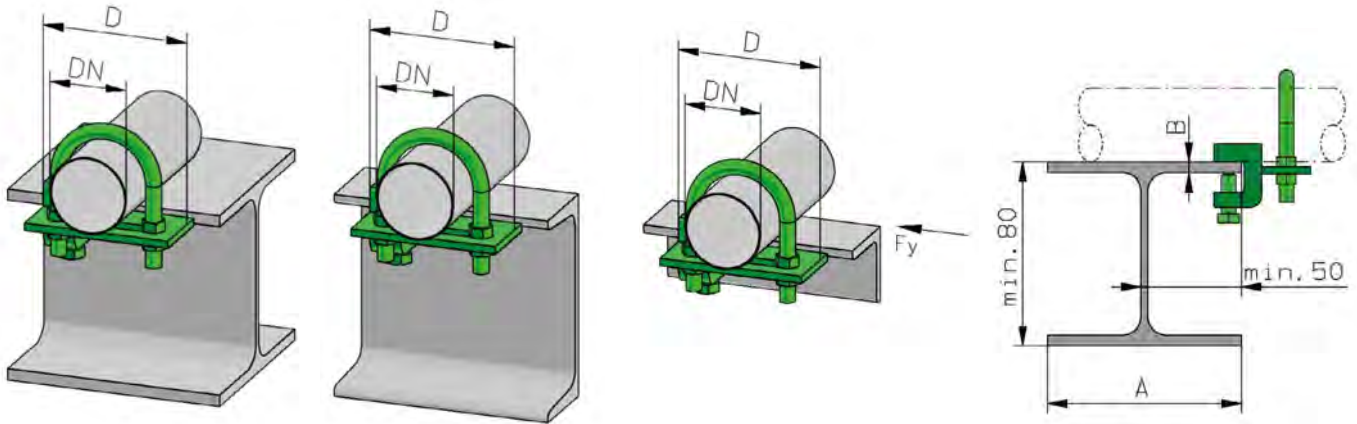
Profile clamp set with lift-off prevention for pipe bearings								
Material / Execution:		S235 or similar, threaded parts 8.8 / 8, hot-dip galvanized; including screw connection						
Torque:		M12 - 30 Nm						
Connection profile:		L60 x 60, L80 x 80, L100 x 100						
Article no.	connecting profile	G [mm]	X [mm]	Z [mm]	loads [kN]		weight [kg]	
					F _z	F _y		
PDA-W-R-F	L60x60, L80x80, L100x100	50	25	18	6,0	5,0	1,9	



Clamp system, Type PDA-UM

Profile clamp set with lift-off prevention for pipe bearings								
Material / Execution:		S235 or similar, threaded parts 8.8 / 8, hot-dip galvanized; including screw connection						
Torque:		M12 - 30 Nm						
Connection profile:		U80 - U300						
Article no.	connecting profile	G [mm]	X [mm]	Z [mm]	loads [kN]		weight [kg]	
					F _z	F _y		
PDA-UM120-R-F	U080, U100, U120	50	25	18	6,0	5,0	2,7	
PDA-UM180-R-F	U140, U160, U180	50	25	18	6,0	5,0	3,0	
PDA-UM240-R-F	U200, U220, U240	50	25	18	6,0	5,0	3,4	
PDA-UM300-R-F	U260, U280, U300	50	25	18	6,0	5,0	3,7	

* T=Pipe support width

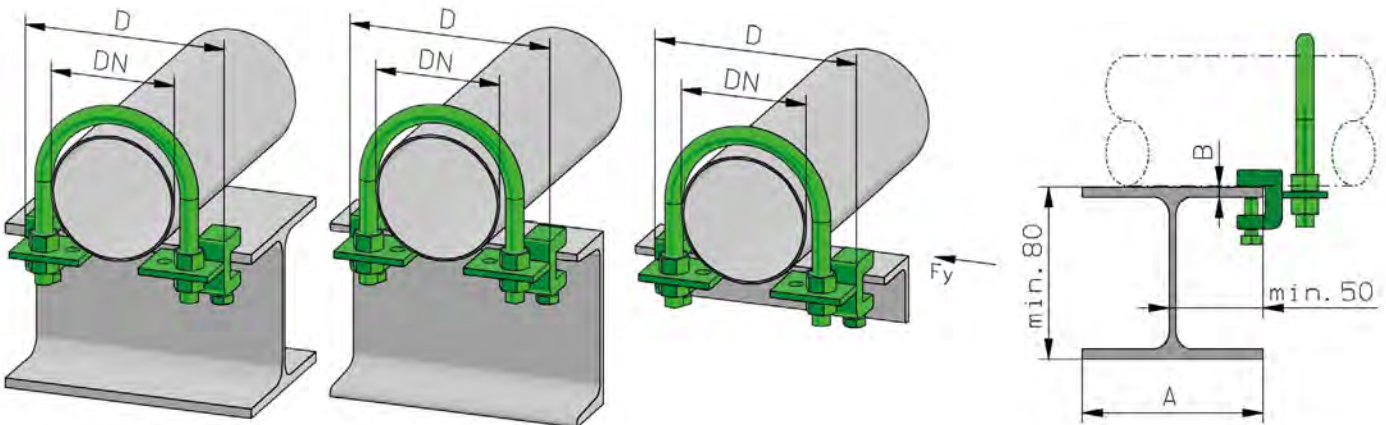


Clamp system with U-bolt, Type PK-RSBG, -1

DN 15 - DN 50

U-bolt supports for non-insulated pipes , can be used as a fixed and floating bearing	
Material / Execution:	S235 or similar, threaded parts 8.8 / 8, hot-dip galvanized; incl. screw connection and U-bolt
Torque clamp:	M12 - 20 Nm
Connection profile:	Flange width H-beam 80 - 300 mm, Angle and channel profile min. 50mm (Note deformation)

Article no. Fixed point	DN	connecting profile flange		D [mm]	loads [kN]		weight [kg]
		A [mm]	B [mm]		F_y		
PK-RSBG-022-1-R-F	15	80 - 300	5 - 20	115	3,0		0,67
PK-RSBG-027-1-R-F	20	80 - 300	5 - 20	115	3,0		0,68
PK-RSBG-034-1-R-F	25	80 - 300	5 - 20	115	3,0		0,69
PK-RSBG-043-1-R-F	32	80 - 300	5 - 20	115	3,0		0,70
PK-RSBG-049-1-R-F	40	80 - 300	5 - 20	115	3,0		0,71
PK-RSBG-061-1-R-F	50	80 - 300	5 - 20	115	3,0		0,82

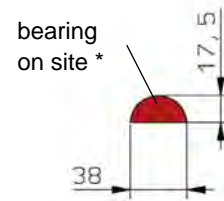
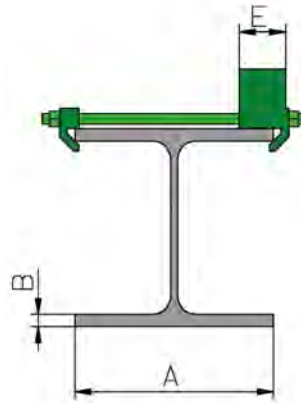
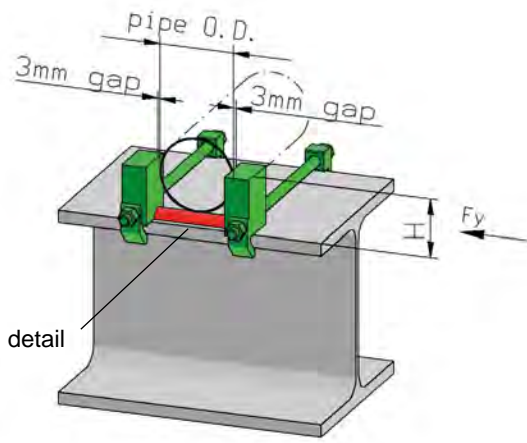


Clamp system with U-bolt, Type PK-RSBG, -2

DN 50 - DN 150

U-bolt supports for non-insulated pipes , can be used as a fixed and floating bearing	
Material / Execution:	S235 or similar, threaded parts 8.8 / 8, hot-dip galvanized; incl. screw connection and U-bolt
Torque clamp:	M12 - 20 Nm
Connection profile:	Flange width H-beam 80 - 300 mm, Angle and channel profile min. 50mm (Note deformation)

Article no. Fixed point	DN	connecting profile flange		D [mm]	loads [kN]		weight [kg]
		A [mm]	B [mm]		F_y		
PK-RSBG-061-2-R-F	50	80 - 300	5 - 20	176	8,0		1,12
PK-RSBG-077-2-R-F	65	80 - 300	5 - 20	194	8,0		1,15
PK-RSBG-089-2-R-F	80	80 - 300	5 - 20	206	8,0		1,18
PK-RSBG-115-2-R-F	100	80 - 300	5 - 20	186	8,0		1,55
PK-RSBG-140-2-R-F	125	80 - 300	5 - 20	214	8,0		1,62
PK-RSBG-169-2-R-F	150	80 - 300	5 - 20	242	8,0		1,71

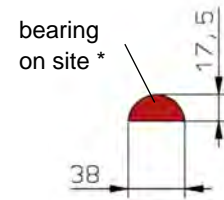
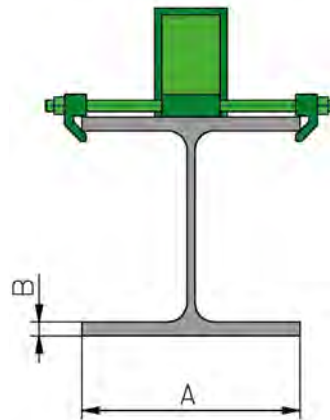
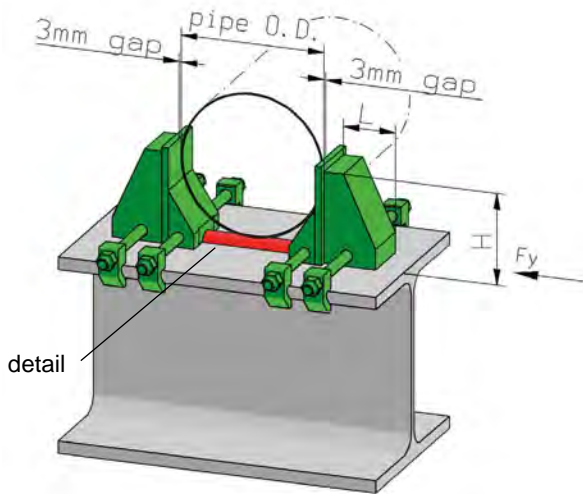


Guide, Type PKFF

DN 15 - DN 125

Guide for bare pipe, clamped	
Material / Execution:	S235 or similar, threaded parts 8.8 / 8, hot-dip galvanized; including screw connection
Torque:	M16 - 90 Nm
Connection profile:	Flange width 80 - 300 mm, other profiles on request

Article no.	connecting profile flange A B [mm]	pipe diameter [mm]	H Höhe [mm]	E [mm]	length bearing [mm]	thread [mm]	loads F _y [kN]	weight [kg]
PKFF-300/16-H090RF	100 - 300 8 - 19	22 - 140	90	70	Rohr Ø + 22	M16	5,0	3,5



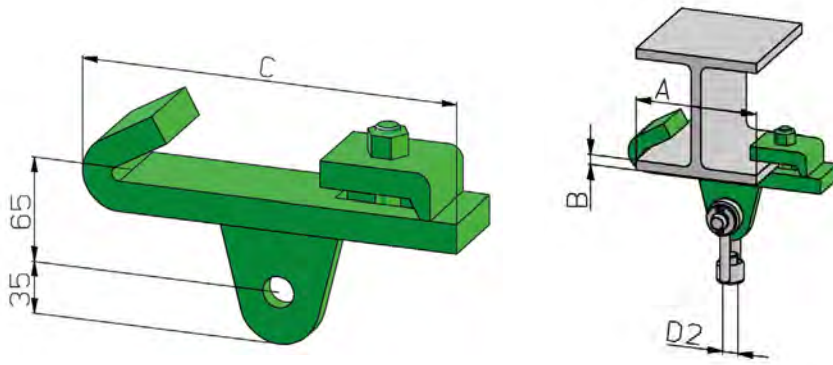
Guide, Type PKFF

DN 150 - DN 500

Guide for bare pipe, clamped	
Material / Execution:	S235 or similar, threaded parts 8.8 / 8, hot-dip galvanized; including screw connection
Torque:	M16 - 90 Nm, M20 - 120Nm
Connection profile:	Flange width 140 - 300 mm, other profiles on request

Article no.	connecting profile flange A B [mm]	pipe diameter [mm]	H Höhe [mm]	L [mm]	length bearing [mm]	thread [mm]	loads F _y [kN]	weight [kg]
PKFF-300/16-H150RF	140 - 300 8 - 19	169 - 273	150	80	Rohr Ø - 58	M16	20,0	11,0
PKFF-300/20-H300RF	140 - 300 8 - 19	324 - 508	300	150	Rohr Ø - 70	M20	30,0	22,9

* Note: Bearing is clamped - not included in delivery.



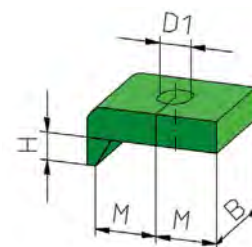
Beam Hangers Type PAH Standard range

Material:	S235 or similar
Execution:	hot-dip galvanized, complete with clamp plate and hot-dip galvanized bolt
Torque:	required preload on clamping plate: M16 - 90 Nm
Connection profile:	Flange width 100 - 300 mm, other profiles on request

Article no.	connecting profile flange		thread lug D2	C [mm]	loads [kN]	weight [kg]
	A [mm]	B [mm]				
PAH-120/12-R-F	100 - 120	8 - 11	M12	215	4,7	3,50
PAH-120/16-R-F	100 - 120	8 - 11	M16	215	8,8	3,45
PAH-120/20-R-F	100 - 120	8 - 11	M20	215	13,8	3,40
PAH-160/12-R-F	130 - 160	8 - 13	M12	250	4,7	4,10
PAH-160/16-R-F	130 - 160	8 - 13	M16	250	8,8	4,05
PAH-160/20-R-F	130 - 160	8 - 13	M20	250	13,8	4,00
PAH-200/12-R-F	170 - 200	10 - 16	M12	290	4,7	4,40
PAH-200/16-R-F	170 - 200	10 - 16	M16	290	8,8	4,35
PAH-200/20-R-F	170 - 200	10 - 16	M20	290	13,8	4,30
PAH-240/12-R-F	210 - 240	11 - 19	M12	340	4,7	5,20
PAH-240/16-R-F	210 - 240	11 - 19	M16	340	8,8	5,15
PAH-240/20-R-F	210 - 240	11 - 19	M20	340	13,8	5,10
PAH-300/12-R-F	260 - 300	12 - 19	M12	400	4,7	5,85
PAH-300/16-R-F	260 - 300	12 - 19	M16	400	8,8	5,80
PAH-300/20-R-F	260 - 300	12 - 19	M20	400	13,8	5,75

Clampplates Type KP

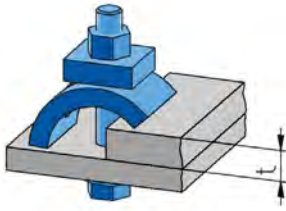
Material:	S235 or similar
Execution:	hot-dip galvanized, similar to former DIN 3568



Article no.	B [mm]	D1 [mm]	H [mm]	M [mm]					weight
									[kg]
KP-50*07-R-F	50	14	7	23					0,22
KP-50*09-R-F	50	14	9	23					0,23
KP-60*10-R-F	60	18	10	35					0,57
KP-60*12-R-F	60	18	12	35					0,58
KP-60*14-R-F	60	18	14	35					0,59
KP-60*16-R-F	60	18	16	35					0,60
KP-60*18-R-F	60	18	18	35					0,61
KP-60*20-R-F	60	18	20	35					0,63

Note: Other dimensions on request.

STB-AS

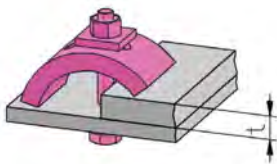


Connecting kit Type STB-AS

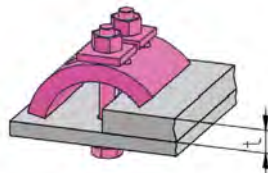
Material:	S355 or similar
Execution:	hot-dip galvanized
Torque:	120 Nm

Article no.	set includes	clamping range t [mm]	thread		loads each set [kN]	weight [kg]
STB-AS-F	4 pieces	8 - 30	M16		10,0	3,7
D-STB-AS/19-45-F	4 pieces	19 - 45	M16		10,0	4,2
STB-AS/15-60-F	4 pieces	15 - 60	M16		8,0	5,5

STL-AS



STL-ASD



Connecting kit Type STL-AS / -ASD

Material:	S355 or similar
Execution:	hot-dip galvanized
Torque:	80 Nm

Article no.	set includes	clamping range t [mm]	thread		loads each set [kN]	weight [kg]
STL-AS-F	4 pieces	8 - 20	M12		5,0	2,0
STL-AS/19-45-F	4 pieces	19 - 45	M12		5,0	2,5
D-STL-AS/30-60-F	4 pieces	30 - 60	M12		4,0	3,4
STL-ASD-F	2 pieces	8 - 20	M12		6,0	1,9
D-STL-ASD/30-60-F	2 pieces	30 - 60	M12		6,0	2,6

Inquiry / Order sheet

Fax +49 2332 7003-44

Possible connection profiles

- European and British profiles according to DIN EN 10365
- American profiles according to ASTM A6 / A6M
- Special profiles

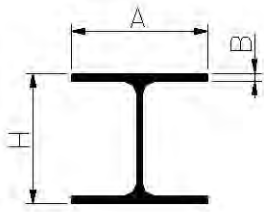
Profile Typ A

Profile Typ B

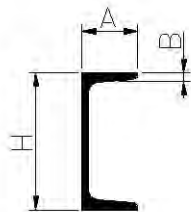
Profile Typ C

Profile Typ D

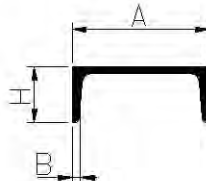
Profile Typ E



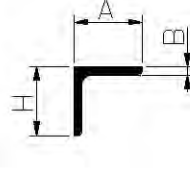
H-beam



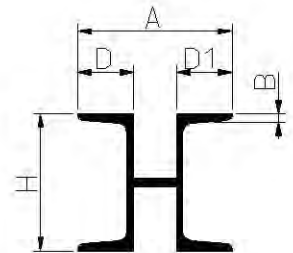
U-shaped profile,
standing



U-shaped profile,
lying



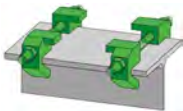
Angle profile



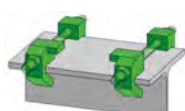
Double-U-shaped profile,
stilted

Profile Type	A	B	H	D	D1	Thread	Pipe-Ø	Remark	Clamp system Type	Quantity

PDA



PDK



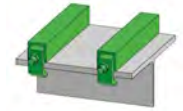
PD



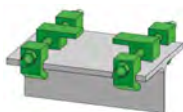
PDX



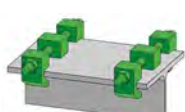
PDH



PKA



PKF



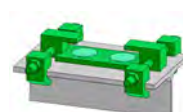
PPU



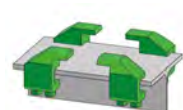
PPU-PT



PKT + PTK



PKAH



PKFP



PDA-W



PDA-UM



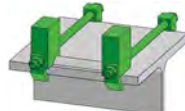
PK-RSBG-1



PK-RSBG-2



PKFF



PKFF



PAH



KP



AS / ASD



Client no.:

Name:

Project:

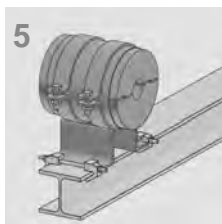
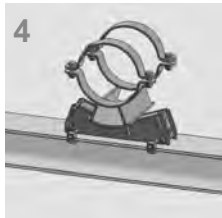
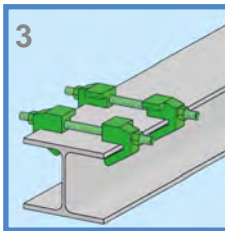
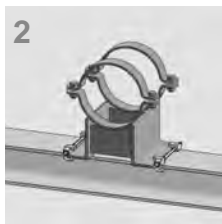
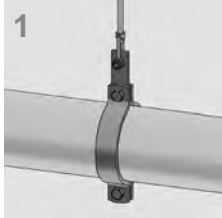
Date:

Company stamp / Signature:



Bernecker

Rohrbefestigungstechnik GmbH



Headquarters

Am Westbahnhof 6
58285 Gevelsberg
Germany
Phone +49 2332 7003-0
Fax +49 2332 7003-44
gevelsberg@bernecker-gmbh.com

Subsidiary

Ladegaststraße 2
06217 Merseburg
Germany
Phone +49 3461 7305-0
Fax +49 3461 7305-22
merseburg@bernecker-gmbh.com

Bernecker BENELUX

benelux@bernecker-gmbh.com

Bernecker ASIEN

vietnam@bernecker-gmbh.com

Bernecker USA, LP

SalesUS@bernecker.com

Authorized Distributor for Mexico and Colombia

Stressman Engineering Mexico S.A. de C.V.

jmmf@stressman.no

www.bernecker-gmbh.com

www.modular-4d.com

Clamp systems

Catalogue 3
english



current version