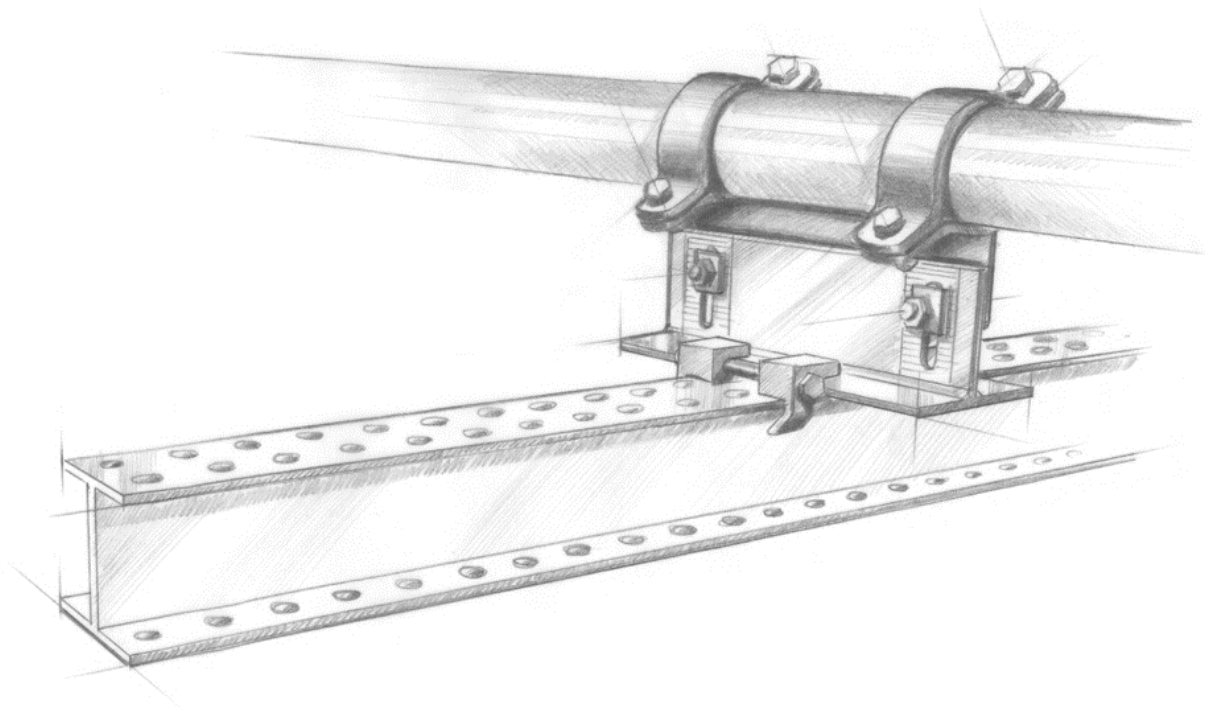


## CAD-tools overview



We support our clients using some high-performance CAD tools emanating from different planning systems. When creating such tools we always aim at simplifying planning considerably and at saving time for the client.

Construction tools for the following CAD programs are available:

- 1. Hexagon SP3D – projects**
- 2. AVEVA E3D – projects**
- 3. AVEVA PDMS – projects**
- 4. Intergraph PDS – projects**
- 5. AutoCAD**

### 1. modular4D – SP3D for Hexagon SP3D – projects

For **Hexagon SP3D** – projects we have a library with parts and assemblies for the product groups **ModularSteel 120**, **ModularSteel 80** and **ModularSupport**.

The **ModularSteel** assemblies are based on the typical system steel construction and their matching load data. The **pipe holding assemblies** contain sliding supports, guide supports and anchors of the **ModularSupport** – product group and their load data.

System requirement is an **Intergraph SmartPlant 3D** version SP3D V2009.1 or V2011, V2013, V2014R1, V2016. New version V2019 is available.

Additional **Pipe shoes** are available in V2018/2019 V13.

In addition, we have videos for each item:

- Bernecker **ModularSteel**
- Bernecker Pipe supports
- Bernecker Clamp guides

### 2. modular4D – E3D for AVEVA E3D – projects

We have a **E3D tool** which is a project specific tool for selected items of our catalogue 3, e.g. PKAH, PD, PKFF, PKA, PDA.

### 3. modular4D – CAD version 7.1 for AVEVA PDMS – projects

Our tool for **AVEVA PDMS** helps you to place **ModularSteel 120**, **ModularSteel 80** and **ModularSupport** in **PDMS** projects. Starting with version 3.1, an ATTA making sure that the SBFM is linked to the pipe and a **Typical Library** are part of the tool.

A **LICAD** – binding in the design allows a quick choice and representation of load chains. Drawings are created automatically using **DRAFT**. The surrounding (hanger, load chains and so on) can be shown for your information.

A placing of **pipe supports type GLV**, **U-bolts type RGS** and **clamp systems** are possible.

The tool is based on a PDMS version 11.6, 12.0, 12.1 and 13.0

#### 4. various support tools for Intergraph PDS – projects:

##### I. **BMS-CAD version 3.00.02 as a „stand-alone version“ for Intergraph PDS projects (de / en) for older setups is available**

Includes system steel construction **ModularSteel 120** and **ModularSteel 80**.

Applicable under the following project surroundings

MicroStation J version 07.01.05.03 or higher
PDS from version 7.0 - 11.x (only WIN XP with 32 bit possible) Oracle 7.2 – 10g PDS version 12.00 (only WIN XP 32 bit possible) server / client: Oracle 10g R2 32.bit (10.2) server / Oracle 10g R2 32 bit client Oracle 11g R2 64.bit (11.2) server / Oracle 11g R2 32 bit client
BMS-CAD Version 3.00.00 oder höher
PDS-project with ModelDraft / FWP-steel construction / speedikon (version 5.6) company IEZ
Compatible to SUcad+ 4.00.xx, SUcad+ Piping 4.00.xx

##### II. **BMS-CAD – plugin for SUcad+**

Includes system steel construction **ModularSteel 120** and **ModularSteel 80**.

Applicable under **SUcad+** version 4.00.xx or higher (WIN XP 32bit / WIN 7 64bit)

##### III. **Bernecker\_RDB – Reference data (version 1.0.0.3\_D) for PDS**

Pipe supports by means of **Intergraph Pipe Support Modeler** is available. The tool contains pipe supports of the **ModularSupport** product family as well as standard pipe supports as for example GLT-100, GLY-100, PK-RSB, etc. Other pipe supports are fast complemented according your request.

This tool is written as Eden program. The program strings can easily be placed in your existing Eden program code.

Compatible from **Intergraph PDS** version 7.2 and higher.

#### IV. Bernecker Modular Steelfor PDS

The tool contains the **ModularSupport** product family as other configuration according your request.

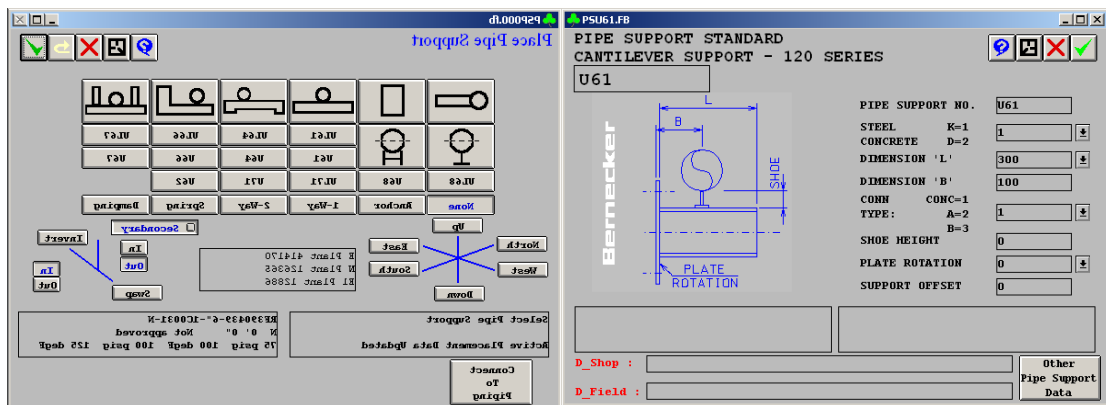
The following Typicals are developed:

**Modular Steel 120** U61, U62; U64; U66; U67; U68; U71  
**Modular Steel 80** UL61, UL64; UL66; UL67; UL68; UL71

The Tool is available in **Metric** and **English UNITS**.

This tool is written as Eden program.

The program strings can easy placed in your existing Eden program code.



Compatible from **Intergraph PDS** version 11 and 12 and older setups.

#### 5. AutoCAD library of components (version 10)

Our **AutoCAD library of components** gives aid to all users planning with **AutoCAD** or compatible systems. The library is available for all versions starting with **AutoCAD 2000** (up to 2006 included). It can also be used by all CAD users who are able to open **AutoCAD** files (3D dwg-files).

The components are constructed as blocks in 3D. Details of the components are restricted in favour of a small file size so that more complex planning is possible.

It is our pleasure to support you also with your preferential CAD – tool, don't hesitate to contact us for it.

[www.modular4D.com](http://www.modular4D.com)

